
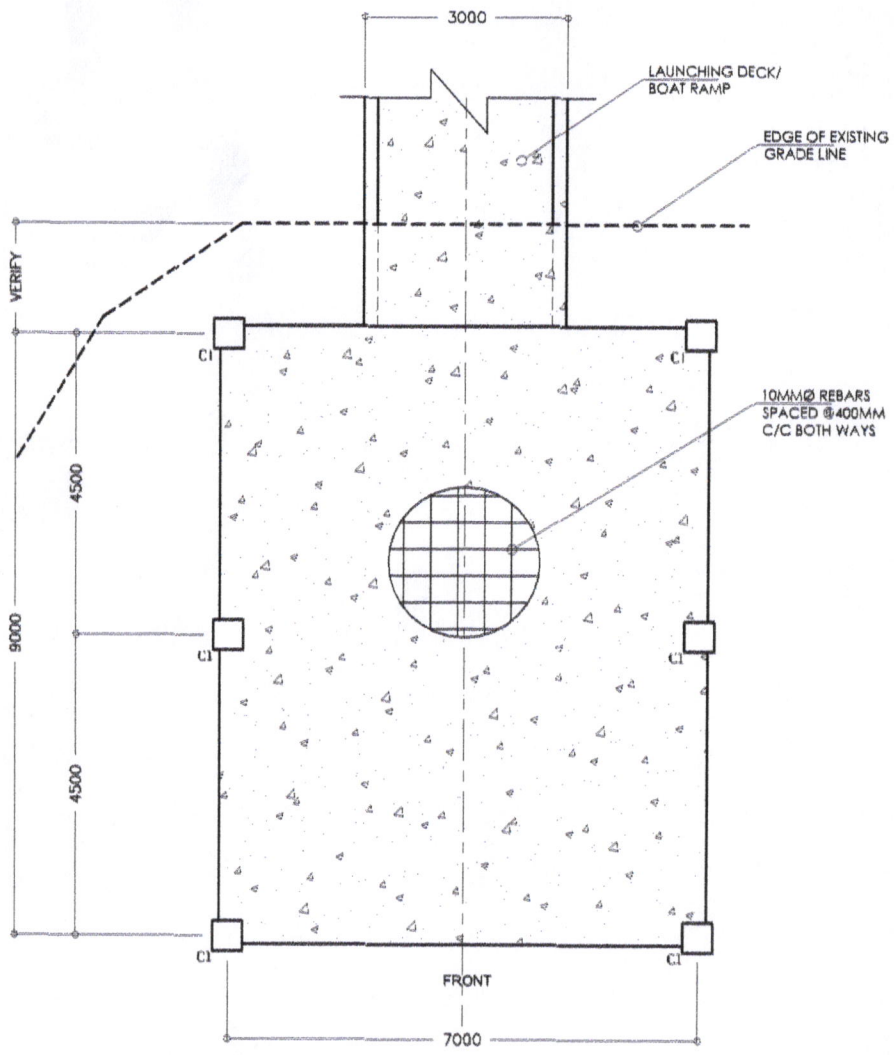
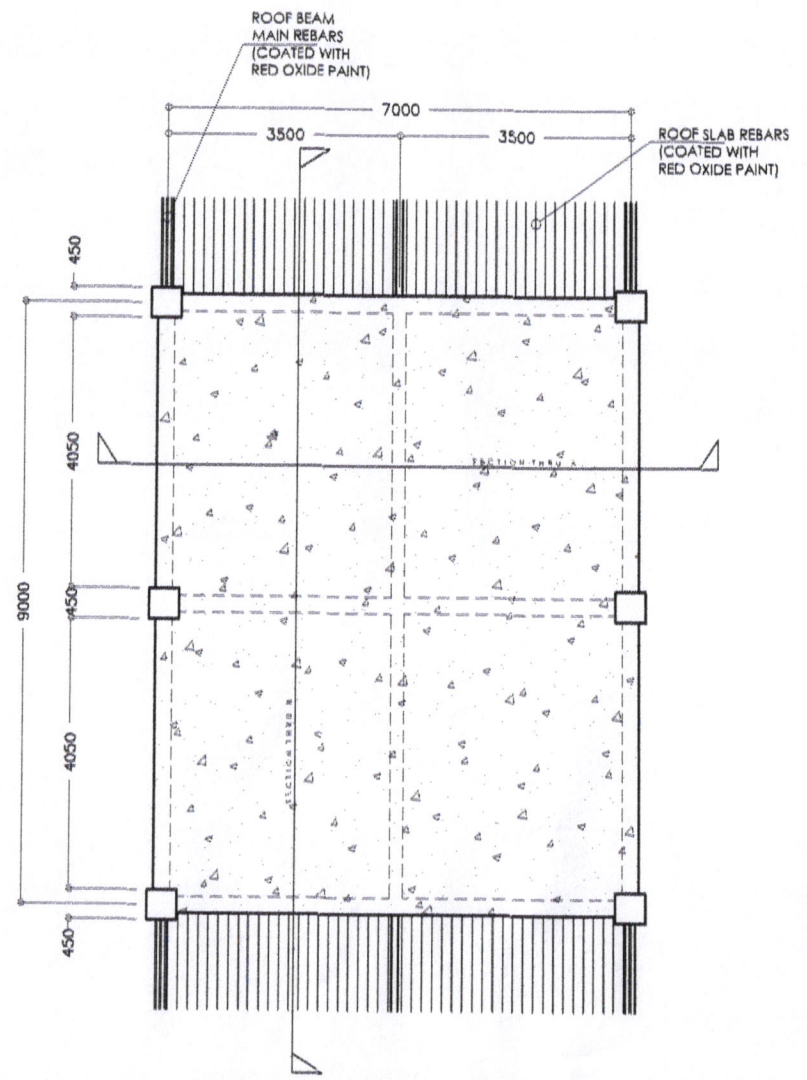


LOCATION MAP
SCALE N.T.S.

 <p>SORSOGON CITY CITY ENGINEER'S OFFICE</p>	PROJECT TITLE:	DRAWN BY:	RECOMMENDING APPRVL:	APPROVED BY:	SHEET CONTENT:	SHEET NO.
	<p>CONSTRUCTION OF RESCUE/SEA PATROL BOAT SHED W/ EMBARKATION/LAUNCHING DECK</p> <p>LOC: ROMPEOLAS, BRGY. TALISAY WEST DISTRICT, SORSOGON CITY</p>			<p>ROEL D. DOMER, C.E./RMP CITY ENGINEER</p>	<p>HON. MA. ESTER E. HAMOR CITY MAYOR</p>	AS - SHOWN



GROUND FLOOR PLAN
SCALE N.T.S.



ROOF SLAB PLAN
SCALE N.T.S.



SORSOGON CITY
**CITY ENGINEER'S
OFFICE**

PROJECT TITLE:
CONSTRUCTION OF RESCUE/SEA
PATROL BOAT SHED W/
EMBARKATION/LAUNCHING DECK
LOC: ROMPEOLAS, BRGY. TALISAY
WEST DISTRICT, SORSOGON CITY

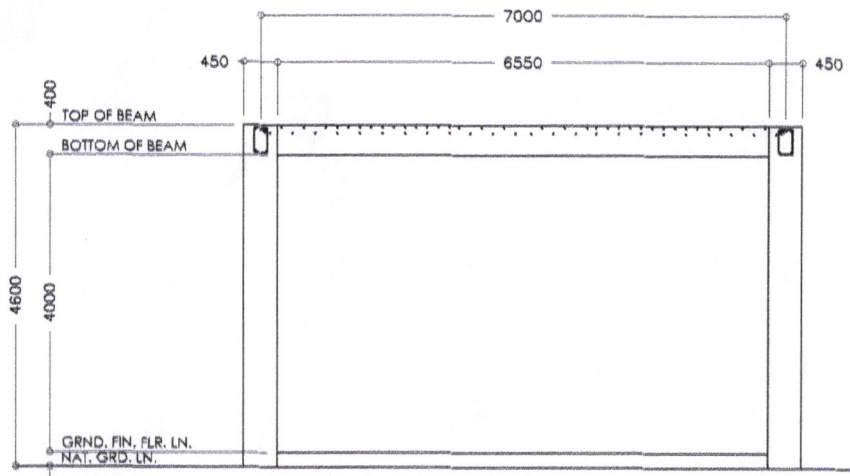
DRAWN BY:

RECOMMENDING APPRVL:
ROEL D. DOMER, C.E./RMP
CITY ENGINEER

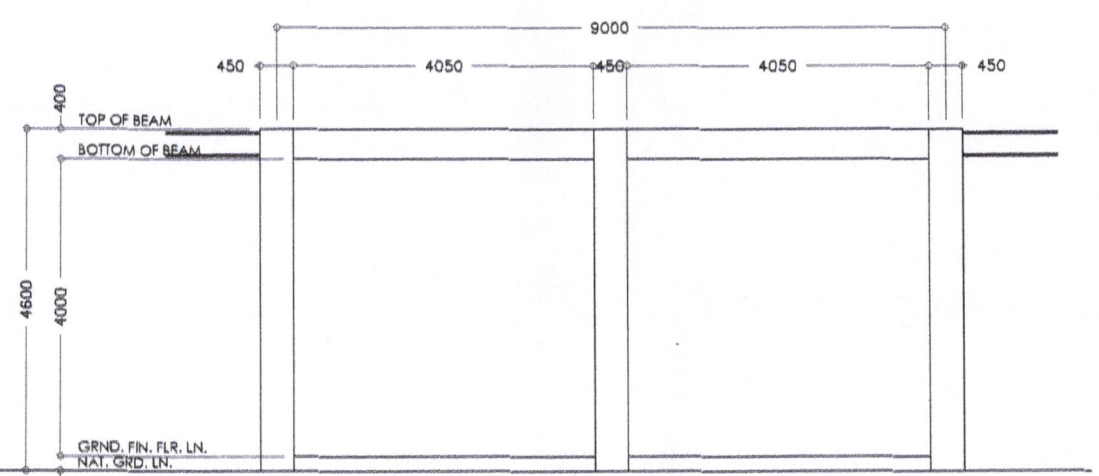
APPROVED BY:
HON. MA. ESTER E. HAMOR
CITY MAYOR

SHEET CONTENT:
AS - SHOWN

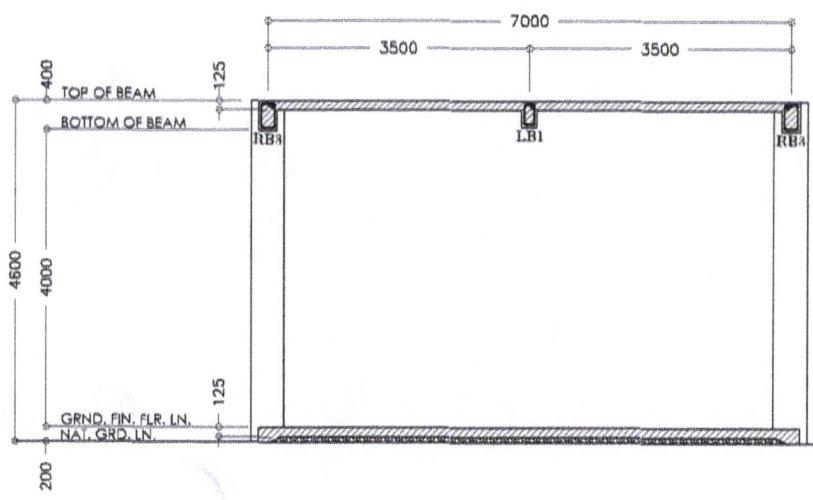
SHEET NO.
A - 03



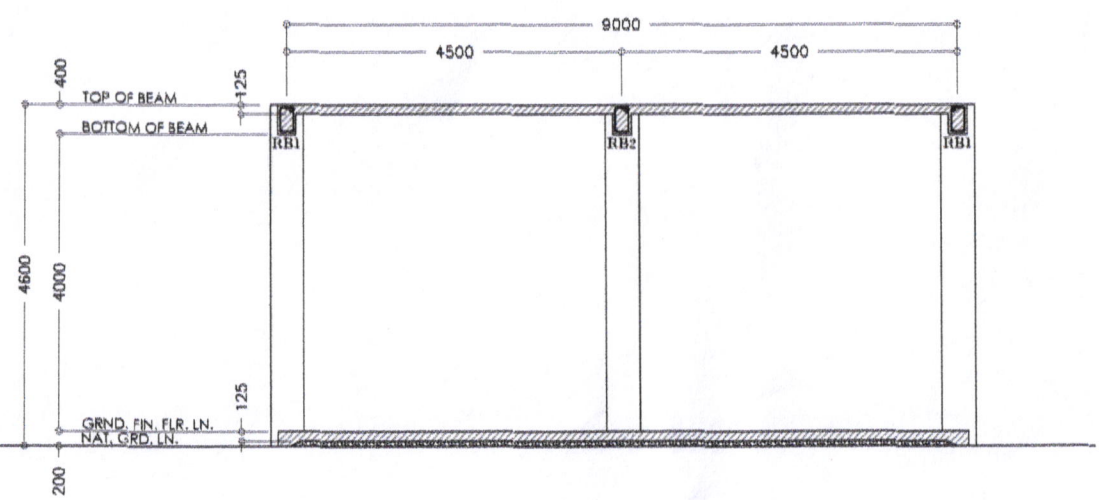
FRONT & REAR ELEVATION
SCALE N.T.S.



LEFT & RIGHT ELEVATION
SCALE N.T.S.



SECTION THRU A
SCALE N.T.S.



SECTION THRU B
SCALE N.T.S.



SORSOGON CITY
**CITY ENGINEER'S
OFFICE**

PROJECT TITLE:
CONSTRUCTION OF RESCUE/SEA
PATROL BOAT SHED W/
EMBARKATION/LAUNCHING DECK
LOC: ROMPEOLAS, BRGY. TALISAY
WEST DISTRICT, SORSOGON CITY

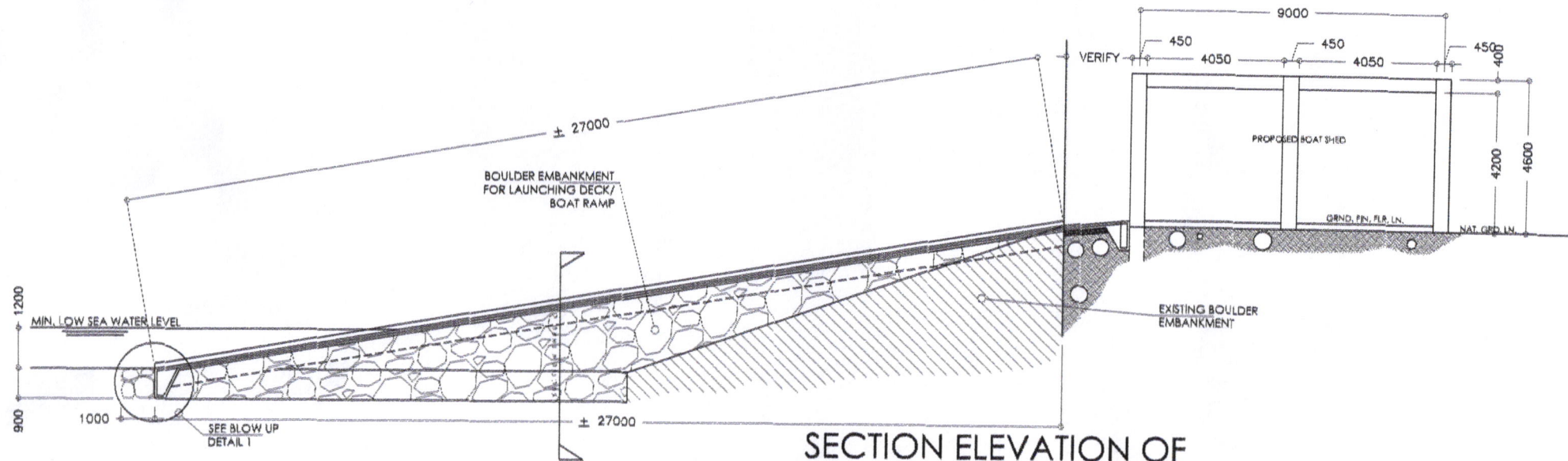
DRAWN BY:

RECOMMENDING APPRVL:
ROEL D. ROMERO, C.E./RMP
CITY ENGINEER

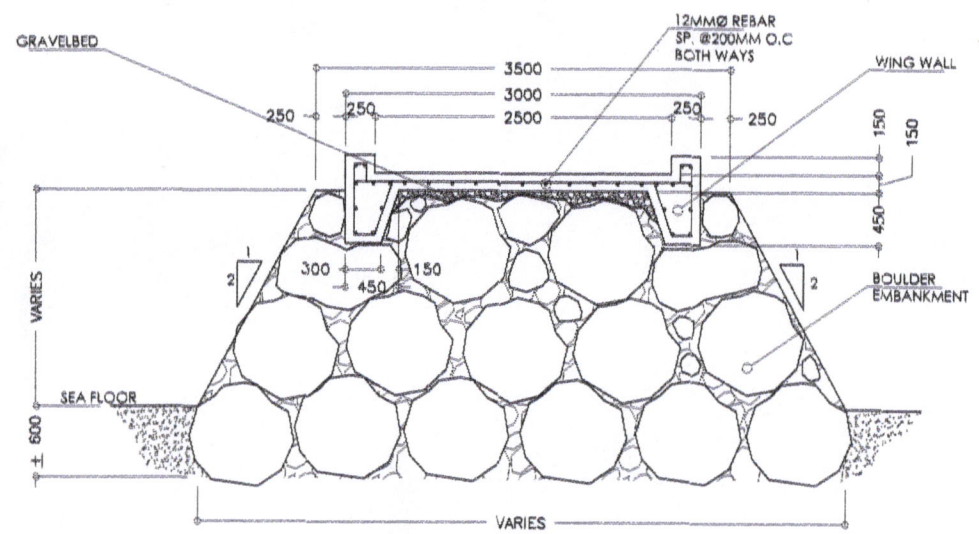
APPROVED BY:
HON. MA. ESTER E. HAMOR
CITY MAYOR

SHEET CONTENT:
AS - SHOWN

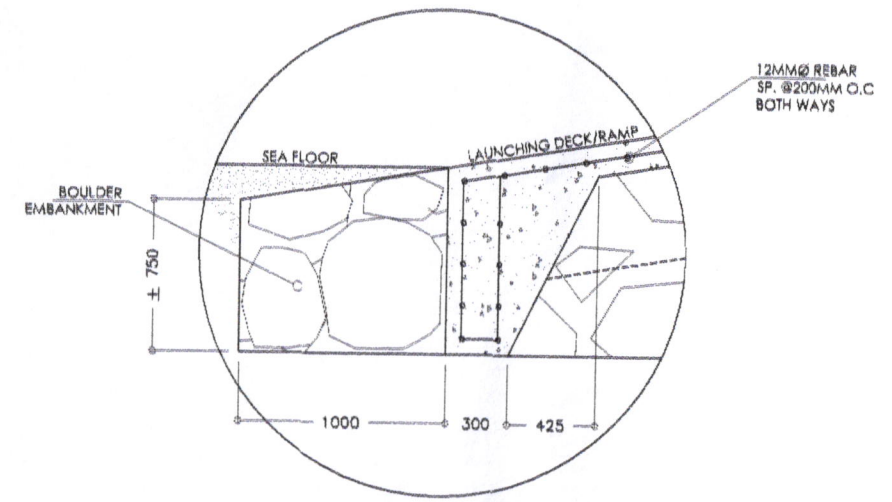
SHEET NO.
A - 04




SECTION ELEVATION OF
LAUNCHING DECK/BOAT RAMP
SCALE N.T.S.

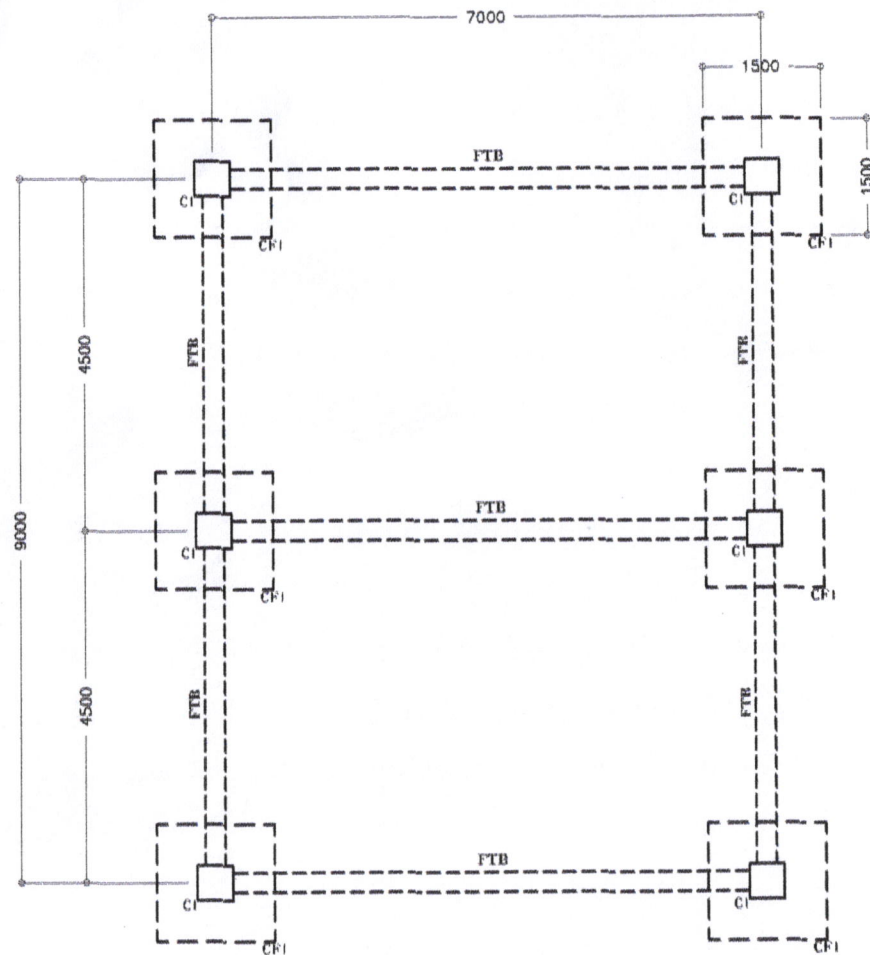


SECTION THRU C
SCALE N.T.S.

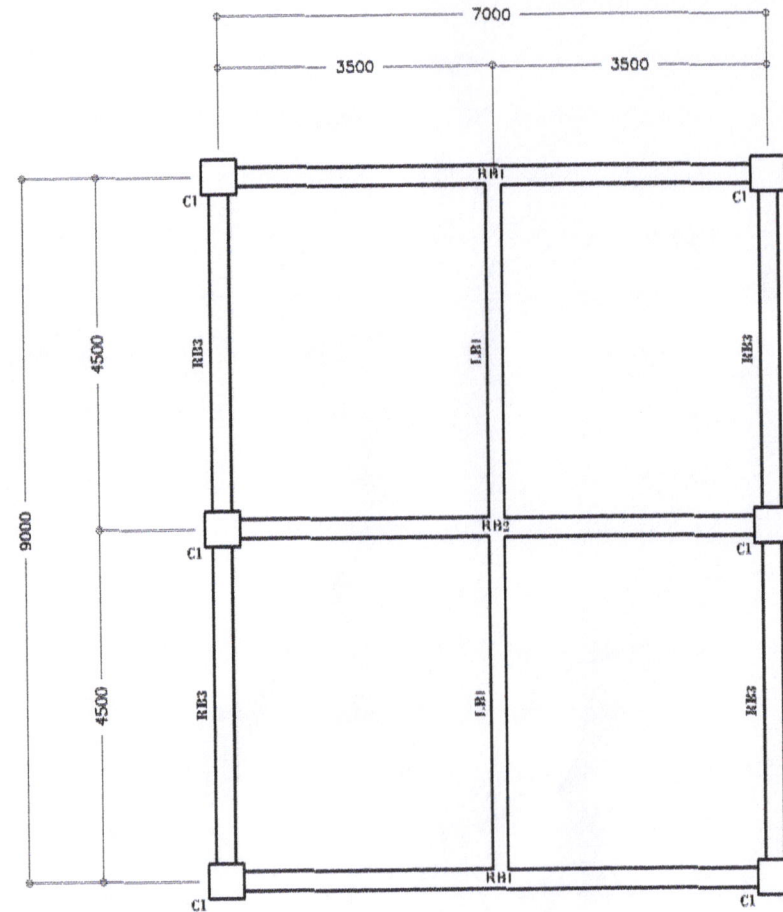


BLOW UP DETAIL 1
SCALE N.T.S.

 <p>SORSOGON CITY CITY ENGINEER'S OFFICE</p>	PROJECT TITLE:	DRAWN BY:	RECOMMENDING APPRVL.:	APPROVED BY:	SHEET CONTENT:	SHEET NO.:
	CONSTRUCTION OF RESCUE/SEA PATROL BOAT SHED W/ EMBARKATION/LAUNCHING DECK				AS - SHOWN	A - 05
	LOC: ROMPEOLAS, BRGY. TALISAY WEST DISTRICT, SORSOGON CITY		ROEL D. DOMER, C.E./RMP CITY ENGINEER	HON. MA. ESTER E. HAMOR CITY MAYOR		



FOUNDATION PLAN
SCALE N.T.S.



ROOF BEAM PLAN
SCALE N.T.S.



SORSOGON CITY
CITY ENGINEER'S
OFFICE

PROJECT TITLE:
CONSTRUCTION OF RESCUE/SEA
PATROL BOAT SHED W/
EMBARKATION/LAUNCHING DECK
LOC: ROMPEOLAS, BRGY. TALISAY
WEST DISTRICT, SORSOGON CITY

DRAWN BY:

RECOMMENDING APPRVL:

APPROVED BY:

SHEET CONTENT:

SHEET NO.

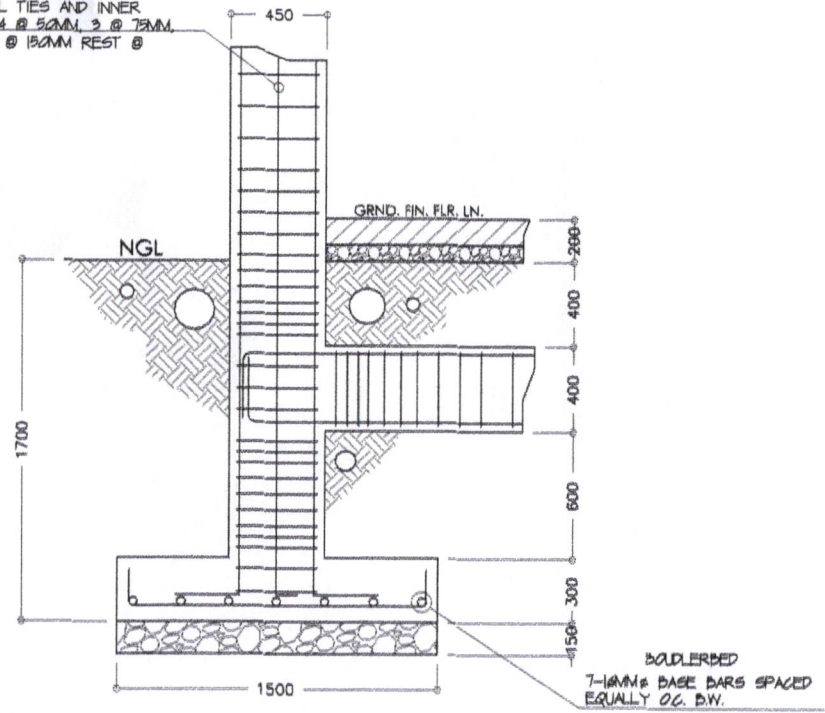
ROEL D. DOMER, C.E./RMP
CITY ENGINEER

HON. MA. EVER E. HAMOR
CITY MAYOR

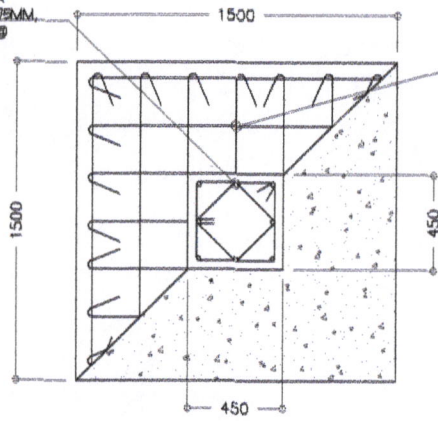
AS - SHOWN

S - 01

2-10MM ϕ VERTICAL BARS WITH 10MM ϕ LATERAL TIES AND INNER TIES SPACED 4 @ 50MM, 3 @ 75MM, 2 @ 100MM, 2 @ 150MM REST @ 200MM O.C.



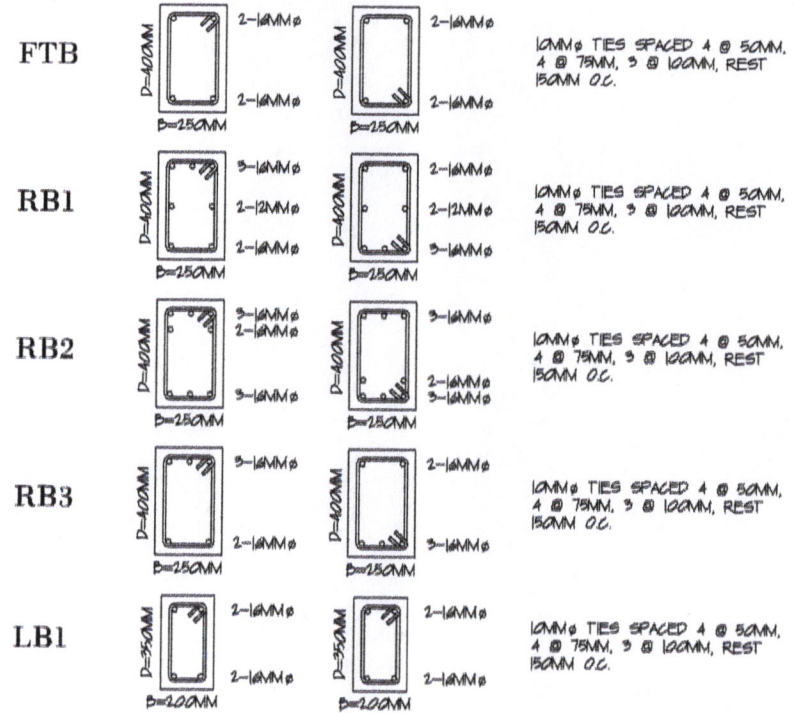
2-10MM ϕ VERTICAL BARS WITH 10MM ϕ LATERAL TIES AND INNER TIES SPACED 4 @ 50MM, 4 @ 75MM, 3 @ 100MM, 2 @ 150MM REST @ 200MM O.C.



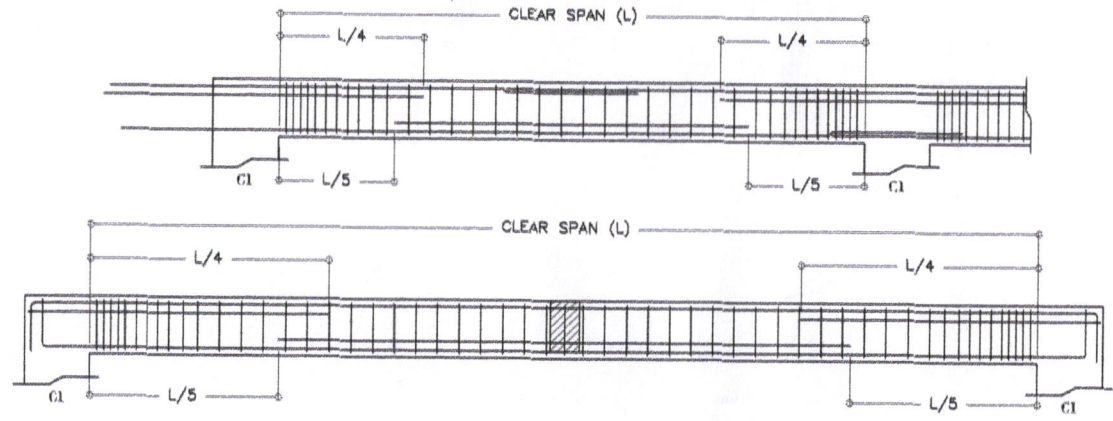
7-10MM ϕ BASE BARS SPACED EQUALLY O.C. B.W.

CF & W/ FTB PLAN & SECTION
SCALE 1:30MMS

@SUPPORT @MIDSPAN



BEAM SCHEDULE
SCALE N.T.S



BEAM DETAILS
SCALE N.T.S



SORSOGON CITY
CITY ENGINEER'S
OFFICE

PROJECT TITLE:
CONSTRUCTION OF RESCUE/SEA
PATROL BOAT SHED W/
EMBARKATION/LAUNCHING DECK
LOC: ROMPEOLAS, BRGY. TALISAY
WEST DISTRICT, SORSOGON CITY

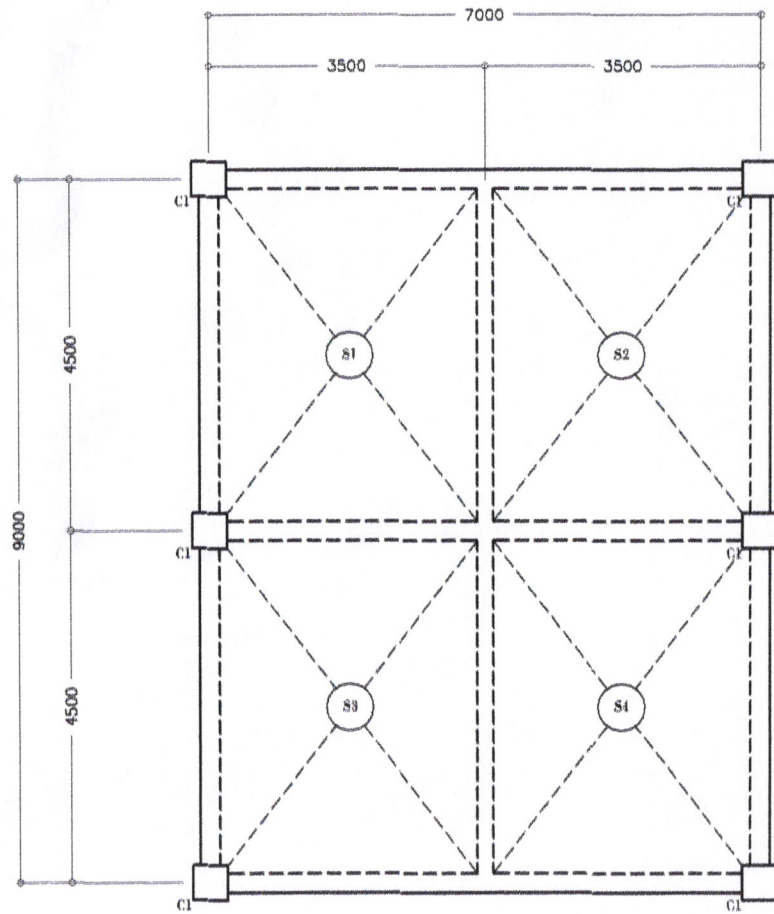
DRAWN BY:

RECOMMENDING APPRVL:
ROEL D. DOMER, C.E./RMP
CITY ENGINEER

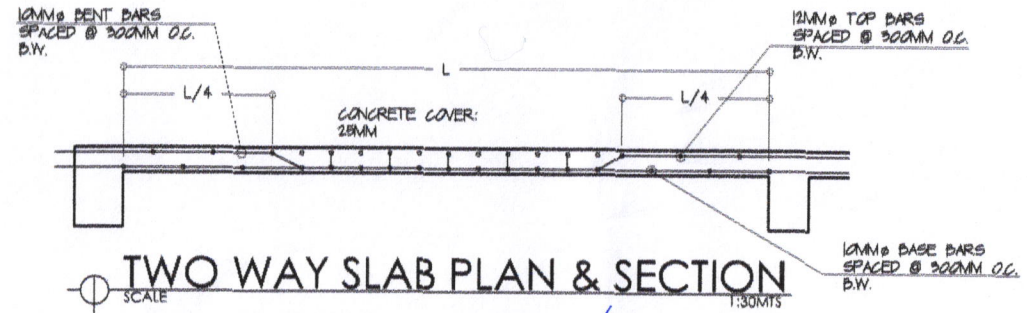
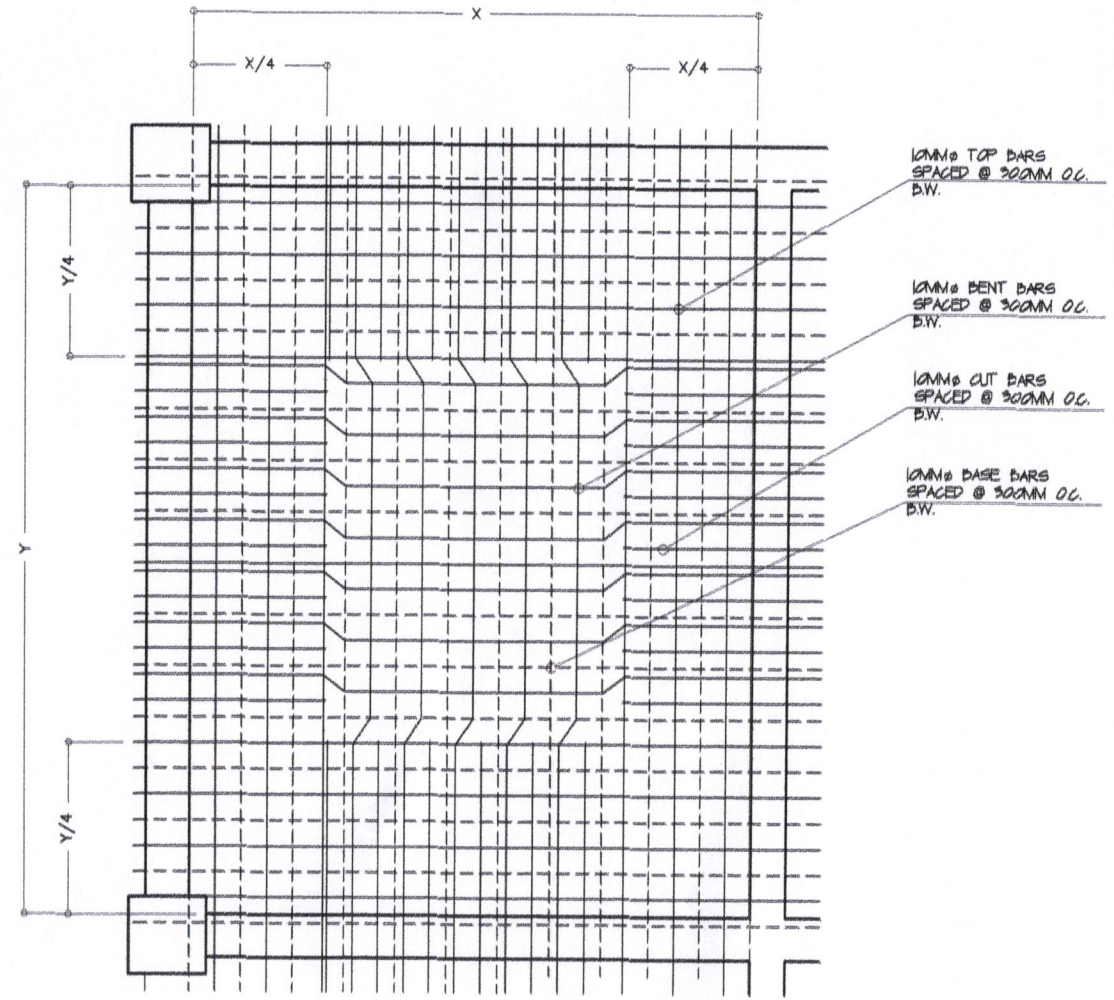
APPROVED BY:
HON. MA. ESTER E. HAMOR
CITY MAYOR

SHEET CONTENT:
AS - SHOWN

SHEET NO.
S - 02



ROOF SLAB PLAN
SCALE N.T.S.



TWO WAY SLAB PLAN & SECTION
SCALE 1:30MMS



SORSOGON CITY
CITY ENGINEER'S
OFFICE

PROJECT TITLE:
CONSTRUCTION OF RESCUE/SEA
PATROL BOAT SHED W/
EMBARKATION/LAUNCHING DECK
LOC: ROMPEOLAS, BRGY. TALISAY
WEST DISTRICT, SORSOGON CITY

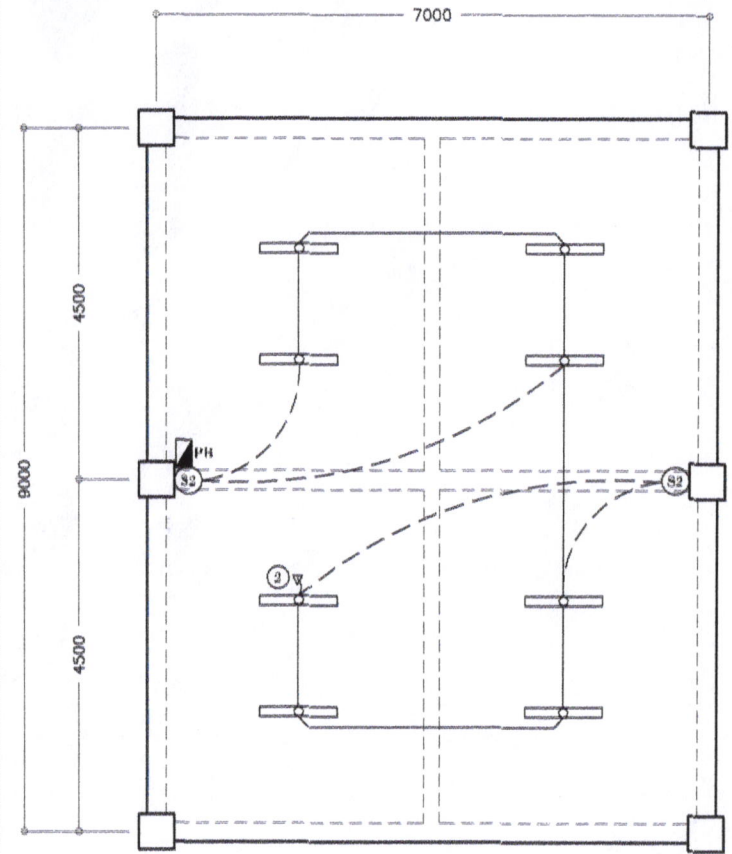
DRAWN BY:

RECOMMENDING APPRVL:
ROEL D. DOMER, C.E./RMP
CITY ENGINEER

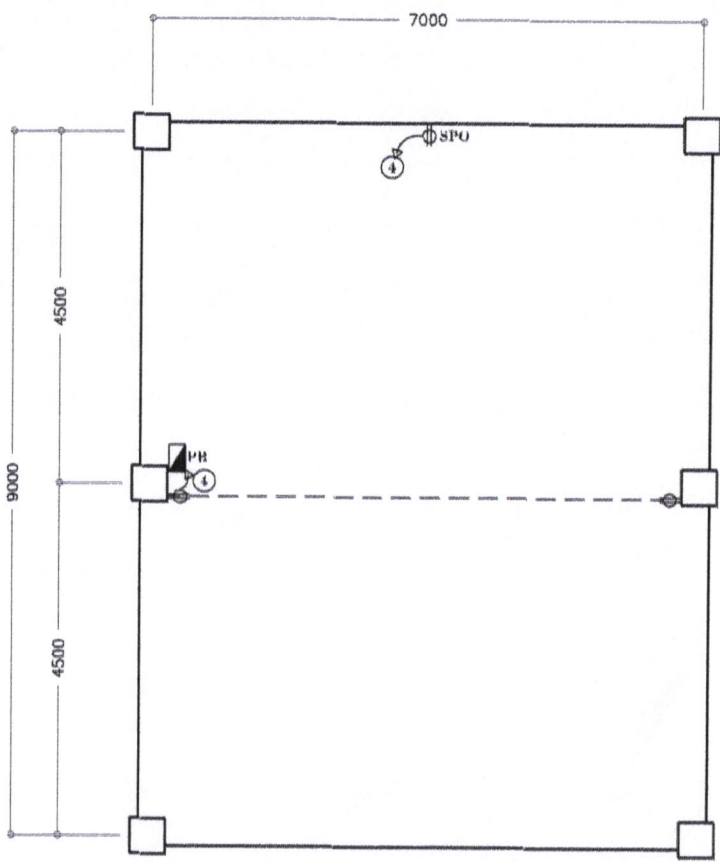
APPROVED BY:
HON. MA, ESTER E. HAMOR
CITY MAYOR

SHEET CONTENT:
AS - SHOWN

SHEET NO.
S - 03



LIGHTING LAYOUT
SCALE N.T.S.



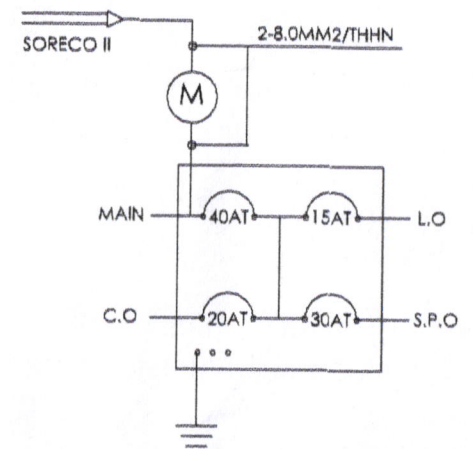
POWER LAYOUT
SCALE N.T.S.

SCHEDULE OF LOADS

CIRCUIT NO.	DESCRIPTION	NO. OF OUTLETS	VOLTAGE RATING	AMPERES	VA	BREAKER RATING	CONDUCTOR/CABLE SIZE
1.	MAIN	1	230	26.78A	6160VA	40AT	2-8.0MM2 /THHN
2.	L.O	8	230	3.48A	800VA	15AT	2-2.0MM2 /THHN
3.	C.O	2	230	1.56A	360VA	20AT	2-3.5MM2 /THHN
4.	S.P.O	1	230	21.74A	5000VA	30AT	2-5.5MM2 /THHN

TOTAL VA = 6160 (100%DF)
230V
= 26.78A

USE 40A MAIN, 2-8.0MM2 SERVICE ENTRANCE



RISER DIAGRAM



SORSOGON CITY
CITY ENGINEER'S OFFICE

PROJECT TITLE:
CONSTRUCTION OF RESCUE/SEA PATROL BOAT SHED W/ EMBARKATION/LAUNCHING DECK
LOC: ROMPEOLAS, BRGY. TALISAY WEST DISTRICT, SORSOGON CITY

DRAWN BY:

RECOMMENDING APPRVL:
ROEL D. DOMER, C.E./RMP
CITY ENGINEER

APPROVED BY:
HON. MA. ESTER E. HAMOR
CITY MAYOR

SHEET CONTENT:
AS - SHOWN

SHEET NO.
E - 01