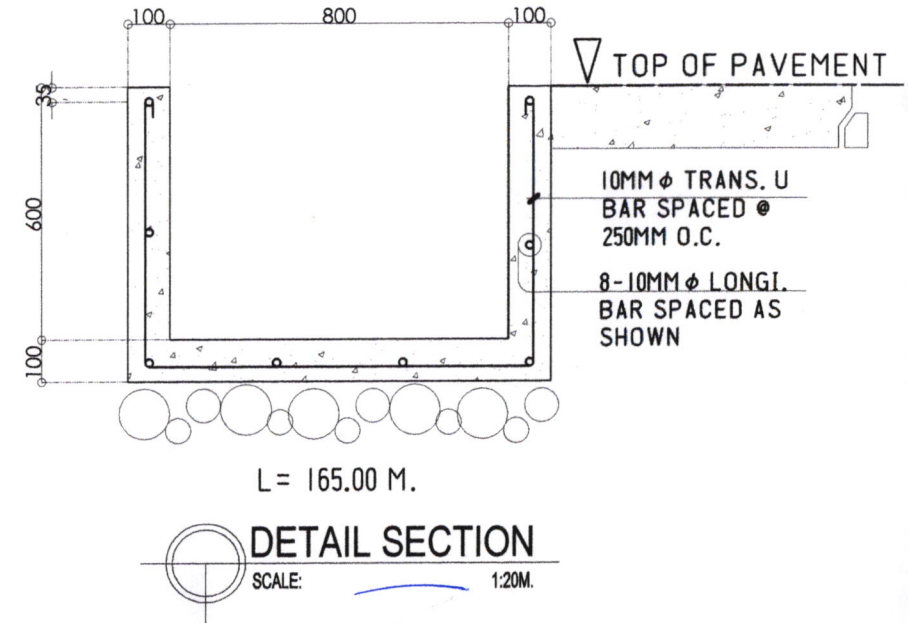


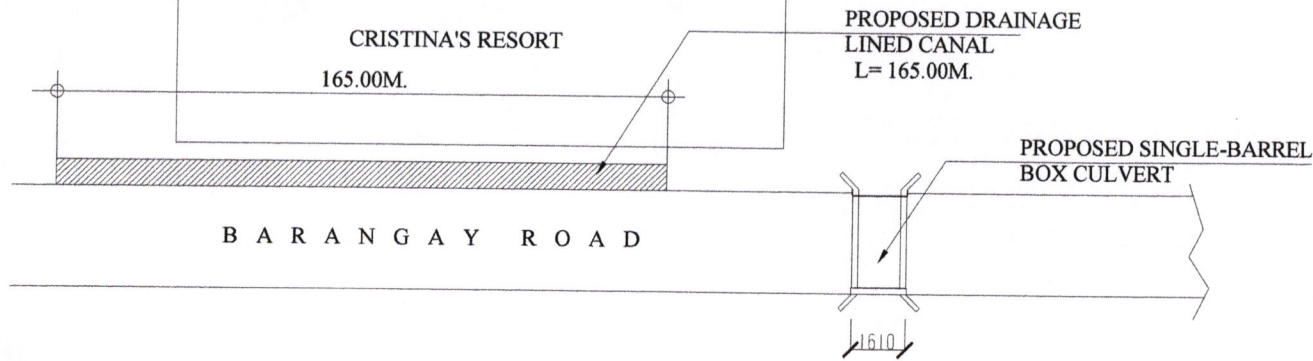




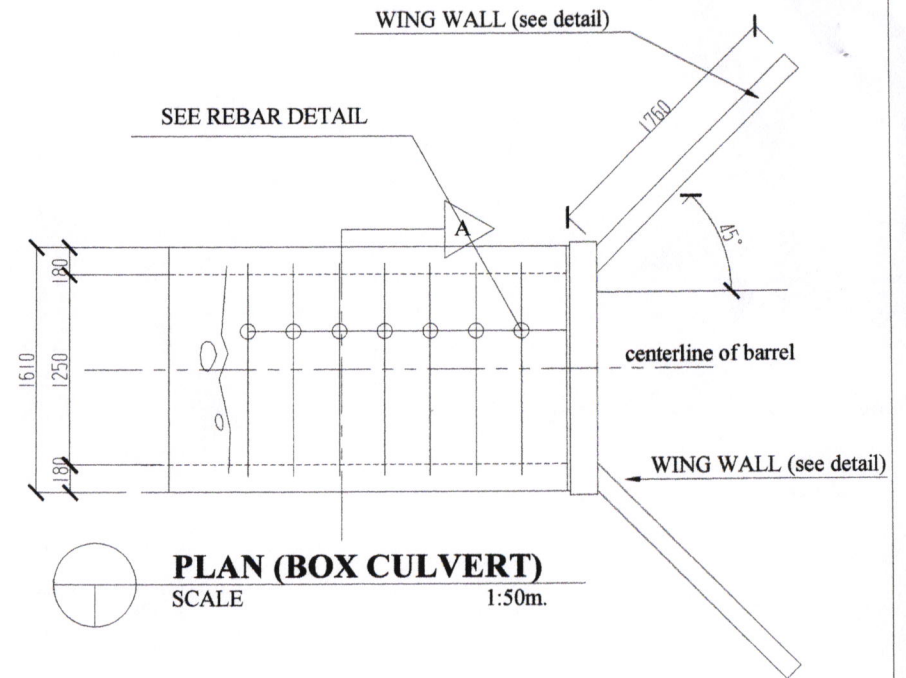
VICINITY MAP



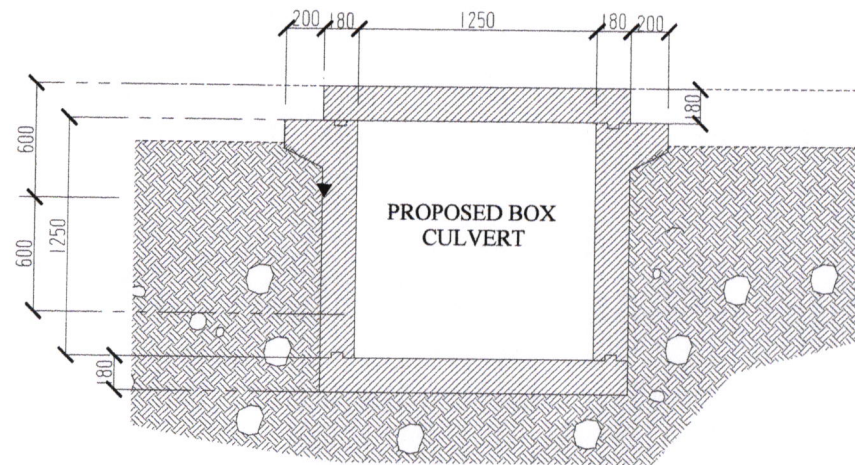
PREPARED FROM:	PROJECT TITLE:	CADD:	RECOMMENDED BY:	APPROVED BY:
 <p>SORSOGON CITY CITY ENGINEER'S OFFICE</p>	CONSTRUCTION OF BOX CULVERT & DRAINAGE LINED CANAL			
	LOCATION: BRGY. GUINLAJON, WEST DISTRICT, SORSOGON CITY	 DRAFTSMAN III	ROEL D. DOMERICE / RMP CITY ENGINEER	HON. MA. ESTER E. HAMOR CITY MAYOR




LOCATION PLAN
SCALE 1:225m.

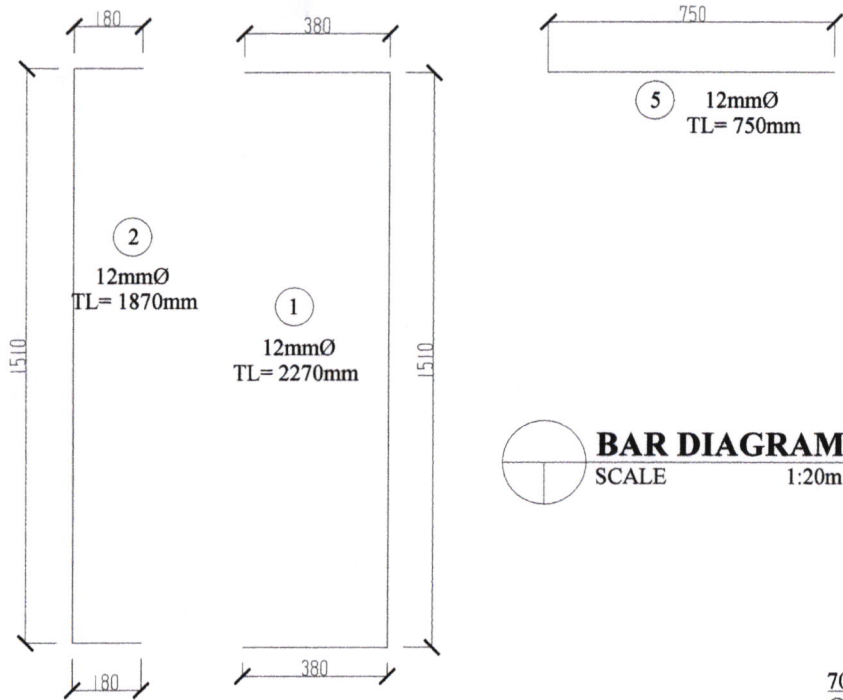


PLAN (BOX CULVERT)
SCALE 1:50m.

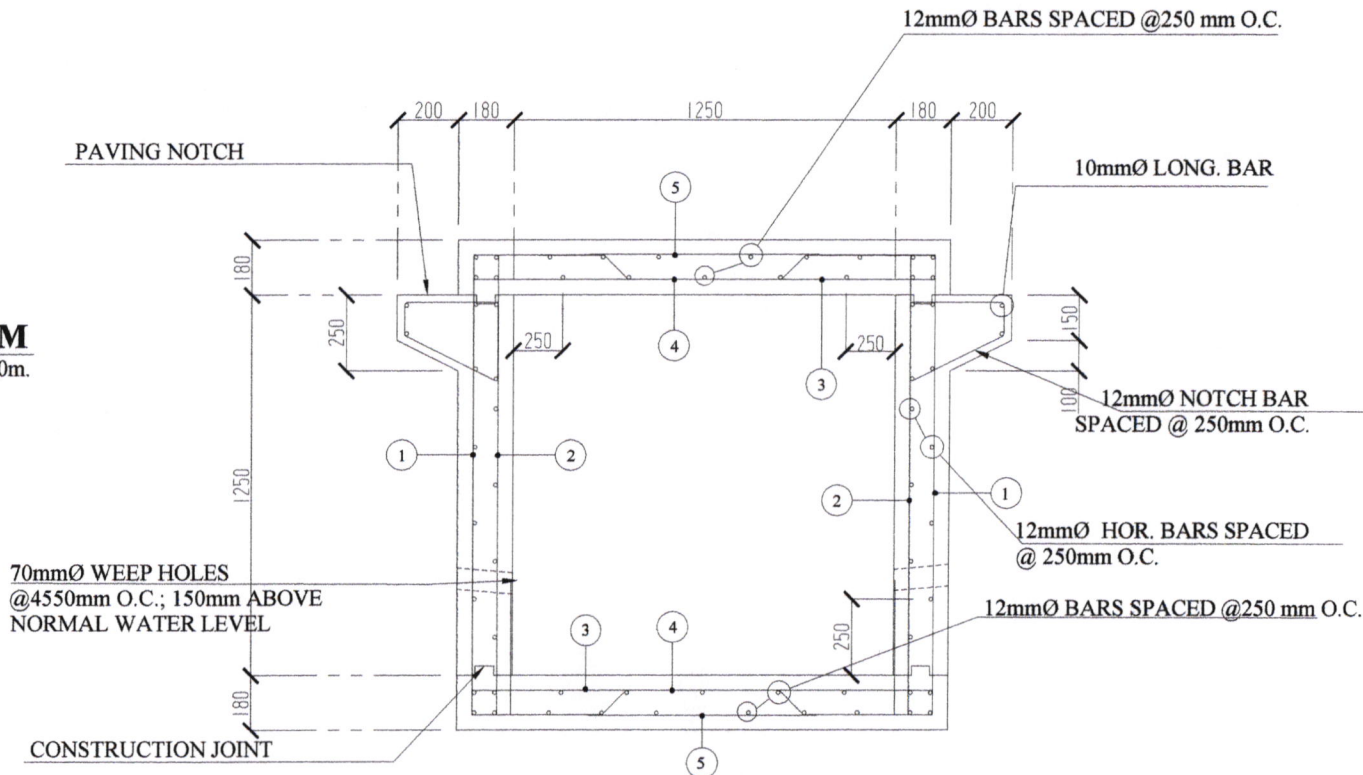
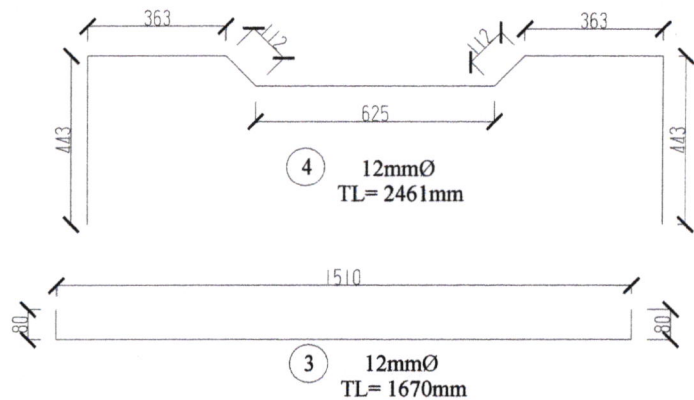


SECTION THRU "A-A"
SCALE 1:40m.

PREPARED FROM:	PROJECT TITLE:	CADD:	RECOMMENDED BY:	APPROVED BY:
 <p>SORSOGON CITY CITY ENGINEER'S OFFICE</p>	<p>CONSTRUCTION OF BOX CULVERT & DRAINAGE LINED CANAL</p> <p>LOCATION: BRGY. GUINLAJON, WEST DISTRICT, SORSOGON CITY</p>	<p><i>Warrawz</i> DRAFTSMAN III</p>	<p><i>[Signature]</i> ROEL D. DOMER C.E. / RMP CITY ENGINEER</p>	<p><i>[Signature]</i> HON. MA. ESTER E. HAMOR CITY MAYOR</p>




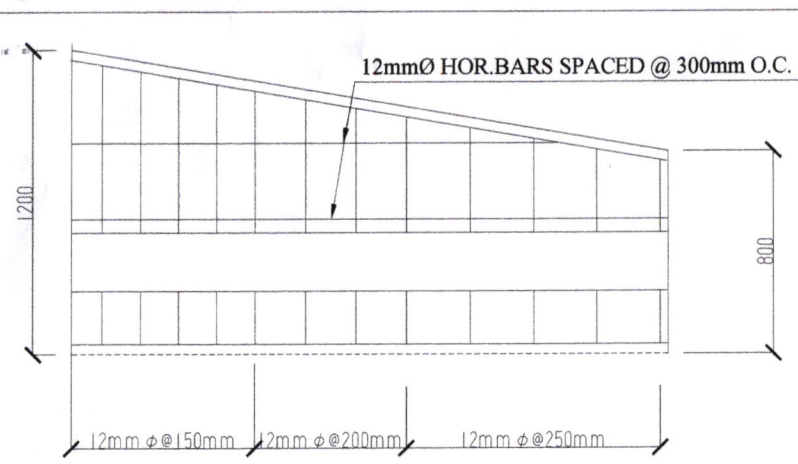
BAR DIAGRAM
SCALE 1:20m.



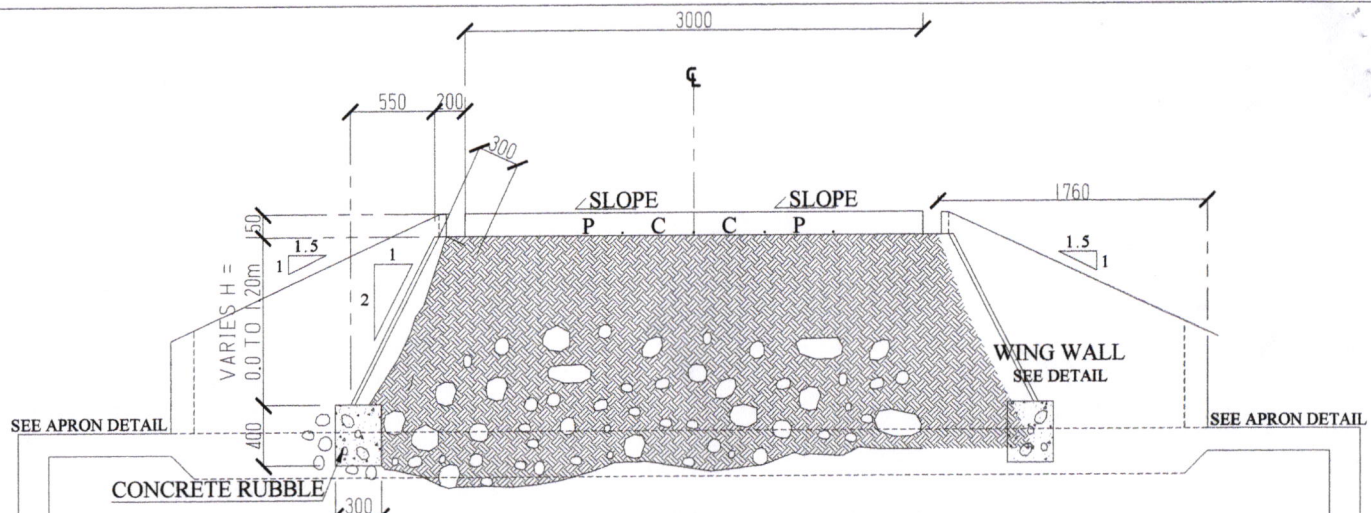
BOX CULVERT REINF. DETAIL
SCALE 1:25m.

NOTE:
BARS NO. 1, 2, 3, 4, & 5 ARE
SPACED @ EVERY 300mm O.C.

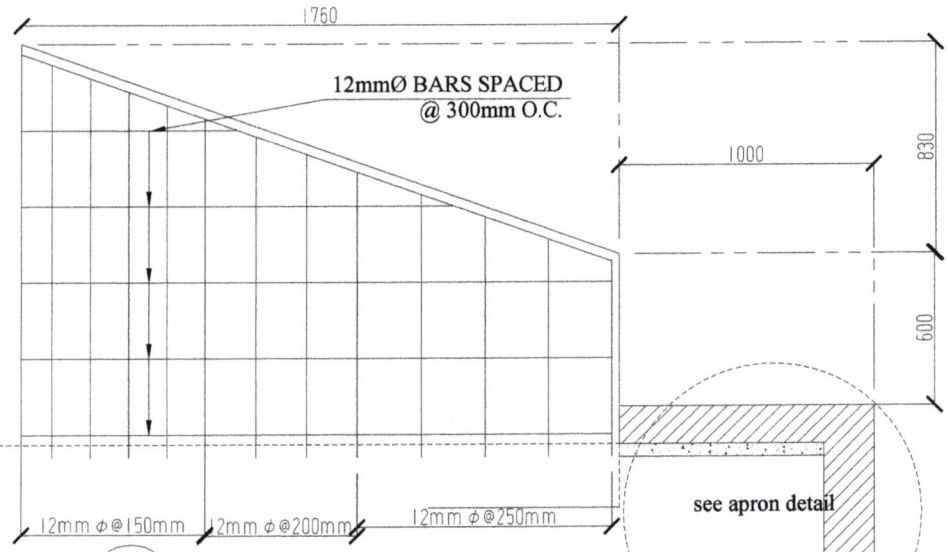
PREPARED FROM:	PROJECT TITLE:	CADD:	RECOMMENDED BY:	APPROVED BY:
 <p>SORSOGON CITY CITY ENGINEER'S OFFICE</p>	<p>CONSTRUCTION OF BOX CULVERT & DRAINAGE LINED CANAL</p>			
	<p>LOCATION: BRGY. GUINLAJON, WEST DISTRICT, SORSOGON CITY</p>	<p><i>Warrawz</i> DRAFTSMAN III</p>	<p>ROEL D. DOMERCE / RMP CITY ENGINEER</p>	<p>HON. MA. ESTER E. HAMOR CITY MAYOR</p>



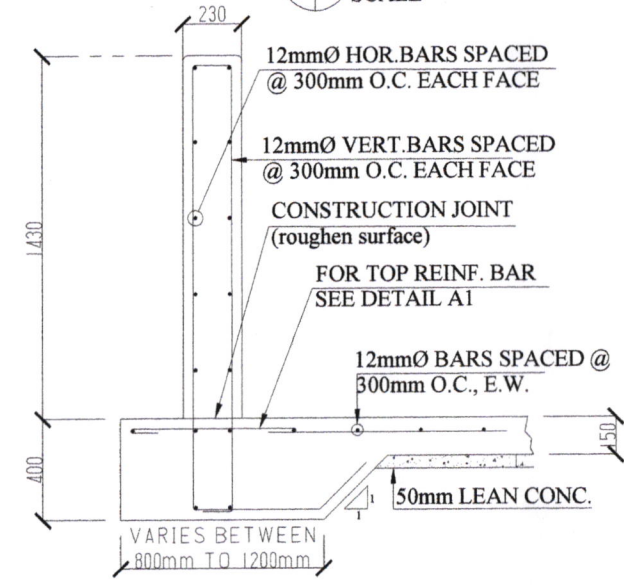
A1 PLAN (wing wall)
SCALE 1:30m.



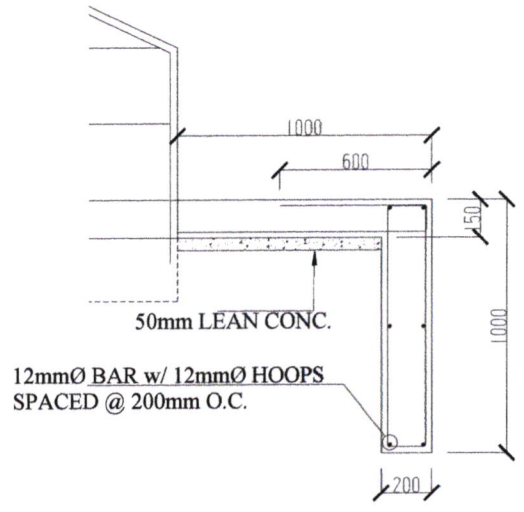
TYPICAL ROAD CROSS SECTION
SCALE 1:50M.



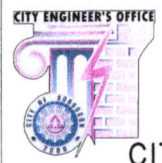

ELEVATION (wing wall)
SCALE 1:30m.



SECTION (wing wall)
SCALE 1:30m.



APRON DETAIL
SCALE 1:30m.

PREPARED FROM:	PROJECT TITLE:	CADD:	RECOMMENDED BY:	APPROVED BY:
 <p>SORSOGON CITY CITY ENGINEER'S OFFICE</p>	CONSTRUCTION OF BOX CULVERT & DRAINAGE LINED CANAL			
	LOCATION: BRGY. GUINLAJON, WEST DISTRICT, SORSOGON CITY	 DRAFTSMAN III	ROEL D. DOMER C. JR RMP CITY ENGINEER	HON. MA. ESTER E. HAMOR CITY MAYOR