


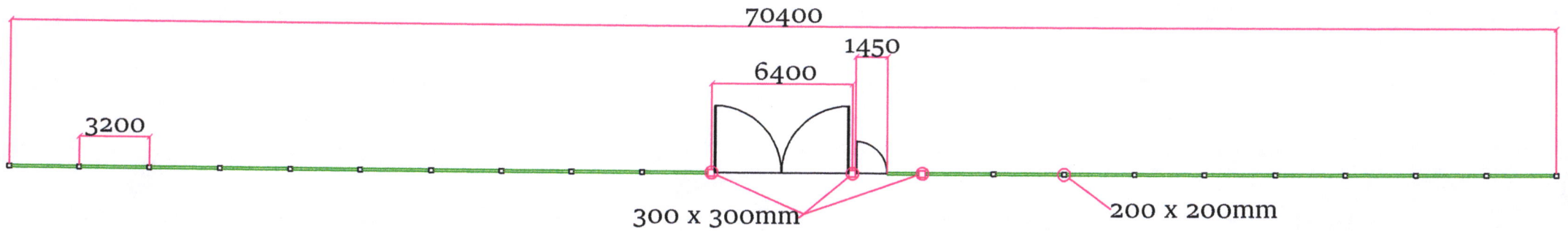


SORSOGON CITY
CITY ENGINEER'S OFFICE

PROJECT TITLE:	DRAWN BY:	RECOMMENDED BY:	APPROVED BY:
CONSTRUCTION OF PERIMETER FENCE W/ GATE & COVERED WALK			
LOCATION: BRGY. SAN ISIDRO	CHARLENE B. RECASA	ROEL B. DIMER, CE	MA. ESTER E. HAMOR
WEST DIST., SORSOGON CITY	DRAFTING AIDE	CITY ENGINEER	CITY MAYOR

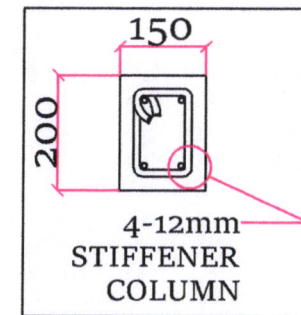
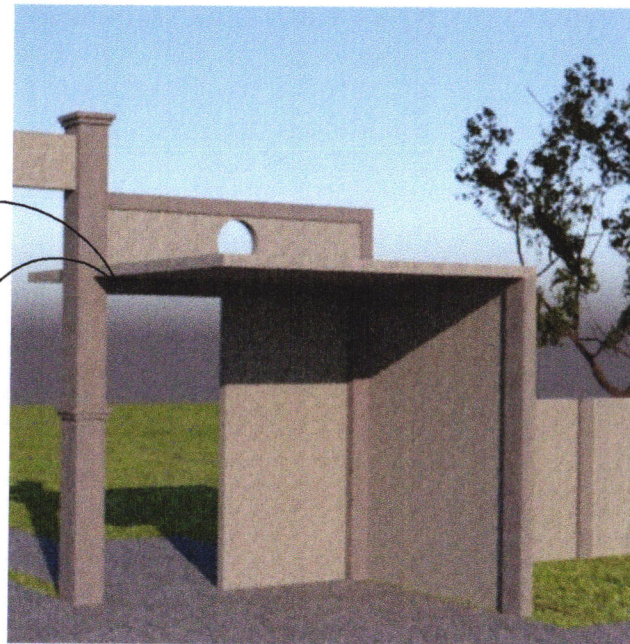
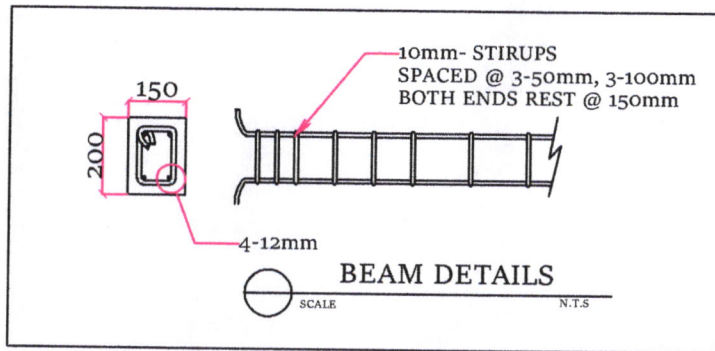
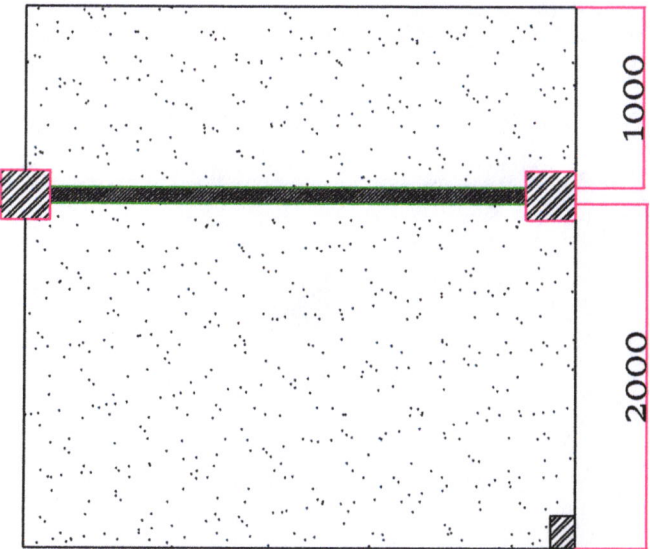


FLOOR PLAN DETAILS



SCALE

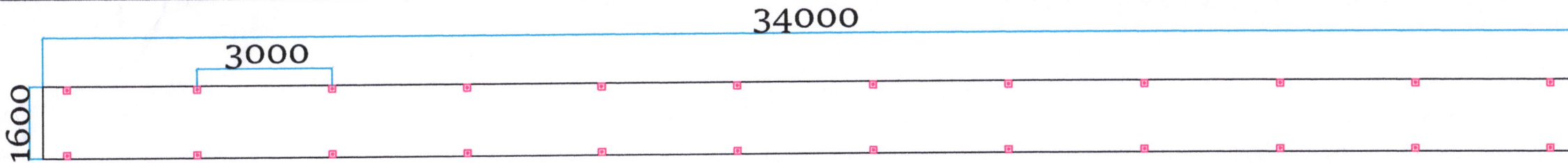
N.T.S



SORSOGON CITY

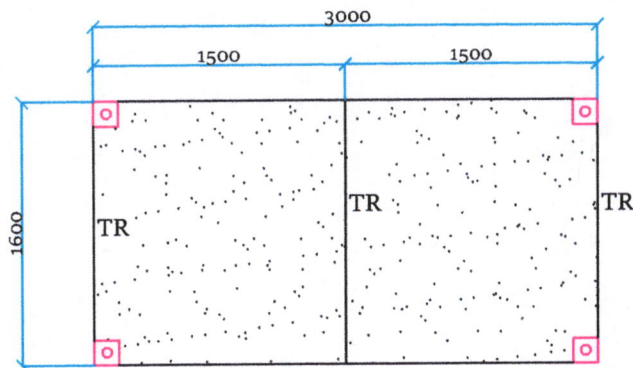
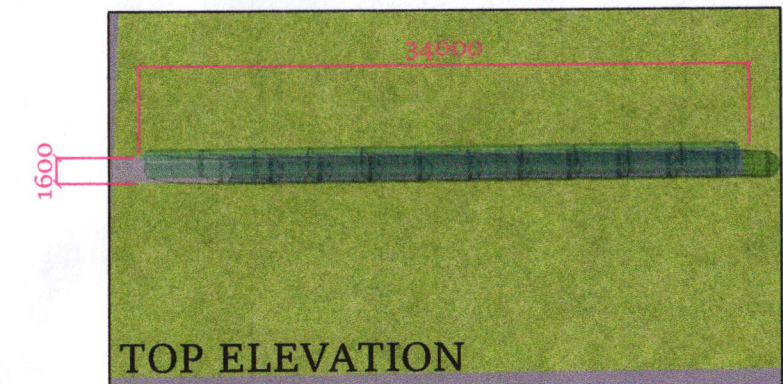
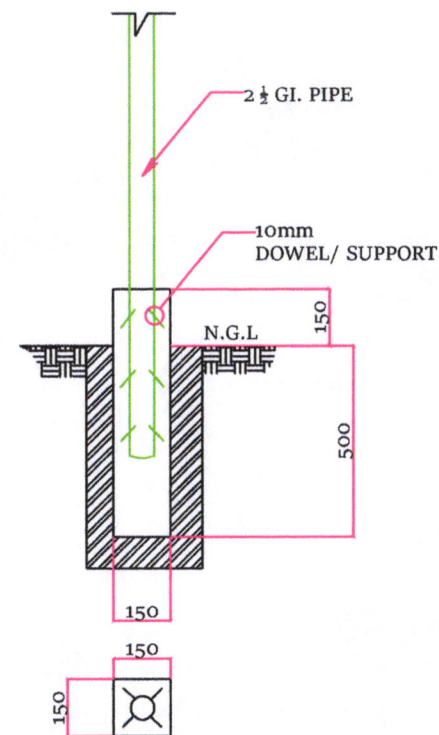
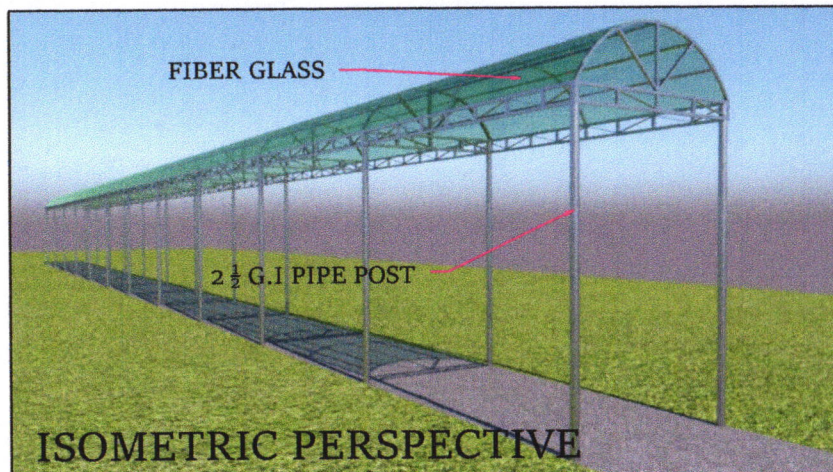
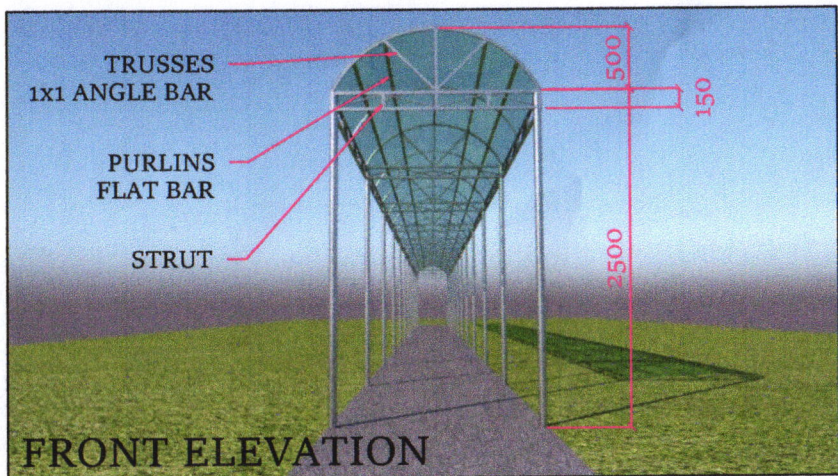
CITY ENGINEER'S OFFICE




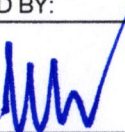
PROJECT TITLE:	DRAWN BY:	RECOMMENDED BY:	APPROVED BY:
CONSTRUCTION OF PERIMETER FENCE W/ GATE & COVERED WALK			
LOCATION: BRGY. SAN ISIDRO WEST DIST., SORSOGON CITY	CHARLENE B. RECASA DRAFTING AIDE	ROEL D. DIMER, CE CITY ENGINEER	MA. ESTER E. HAMOR CITY MAYOR

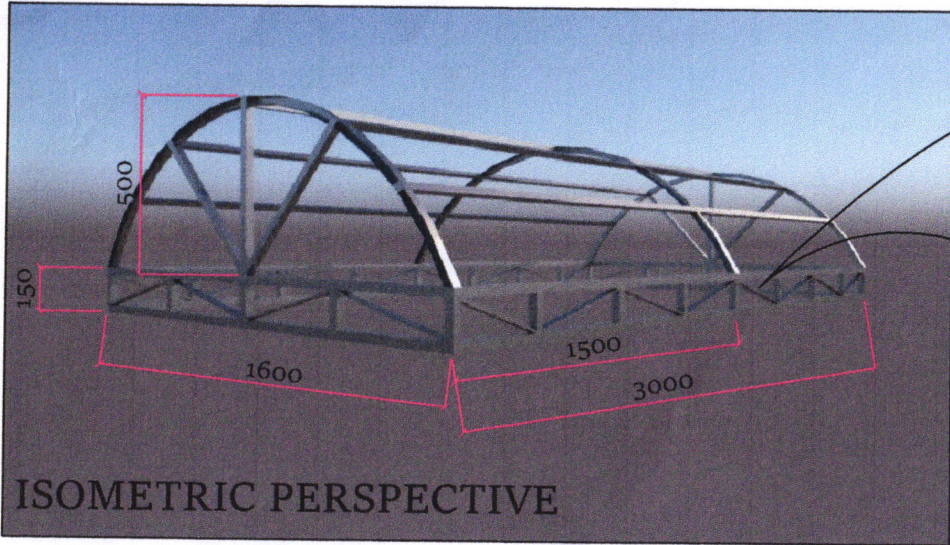


FLOOR PLAN DETAILS

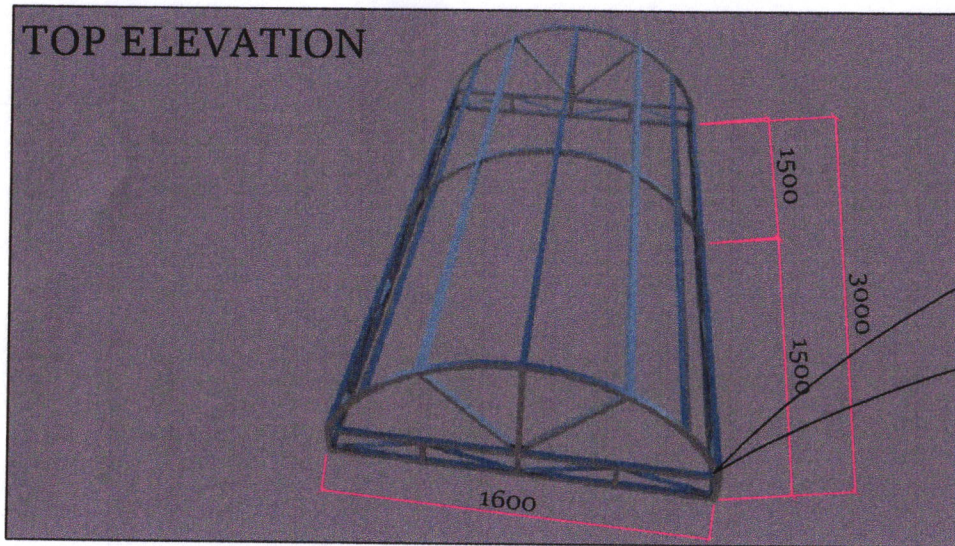
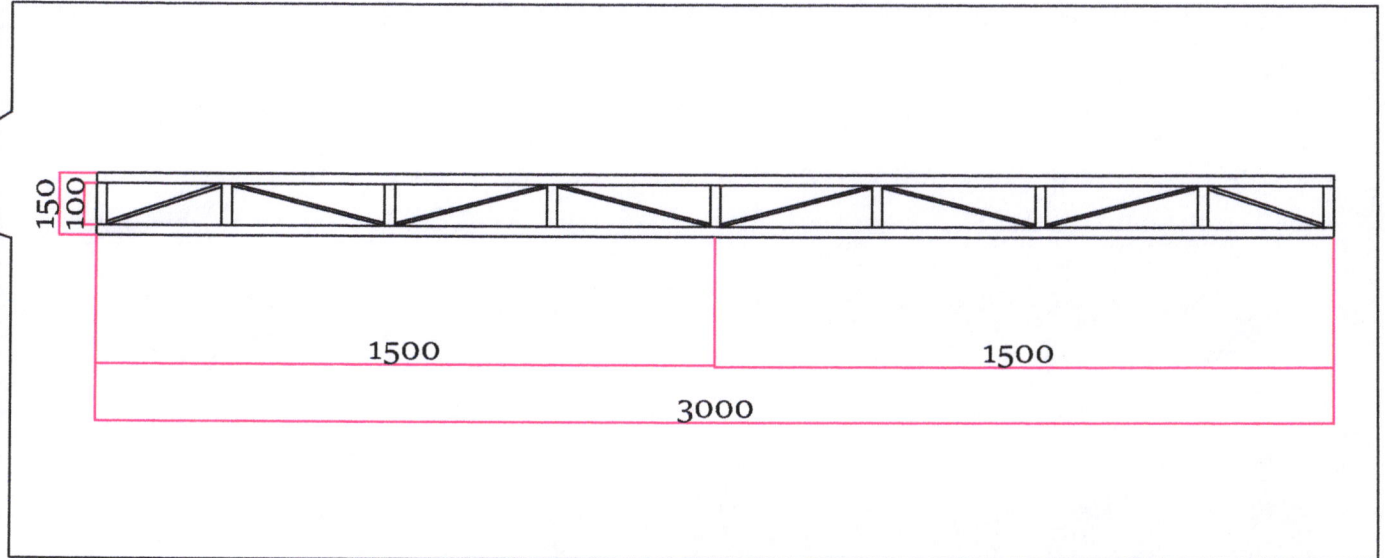
SCALE N.T.S



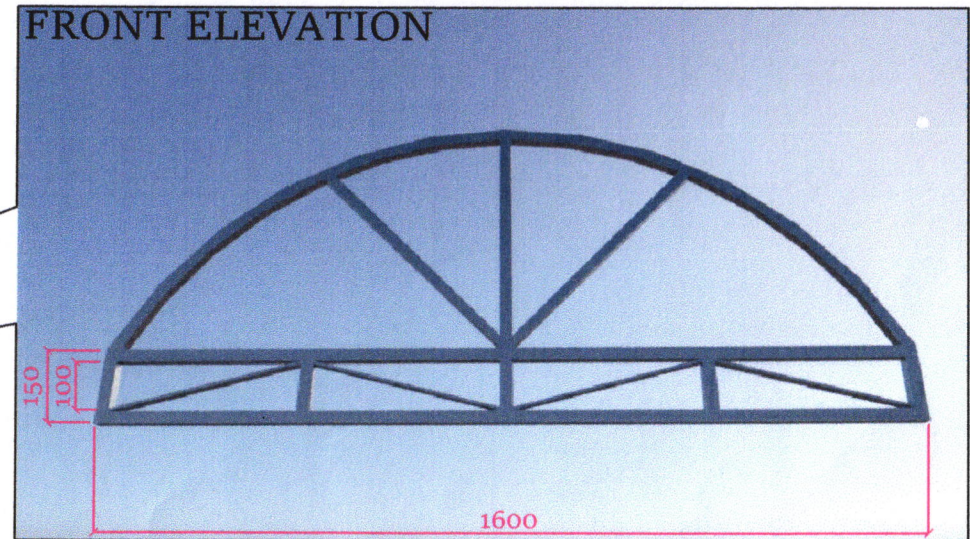
 <p>SORSOGON CITY CITY ENGINEER'S OFFICE</p>	PROJECT TITLE:	DRAWN BY:	RECOMMENDED BY:	APPROVED BY:
	CONSTRUCTION OF PERIMETER FENCE W/ GATE & COVERED WALK			
	LOCATION: BRGY. SAN ISIDRO WEST DIST., SORSOGON CITY	CHARLENE B. RECASA DRAFTING AIDE	RODERIC D. DOMER, CE CITY ENGINEER	MA. ESTER E. HAMOR CITY MAYOR



ISOMETRIC PERSPECTIVE



TOP ELEVATION



FRONT ELEVATION

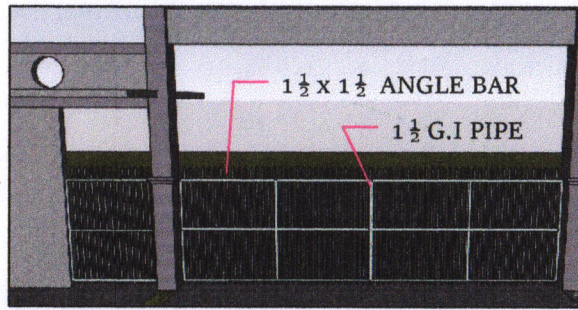
ROOF DETAILS



SORSOGON CITY
CITY ENGINEER'S OFFICE

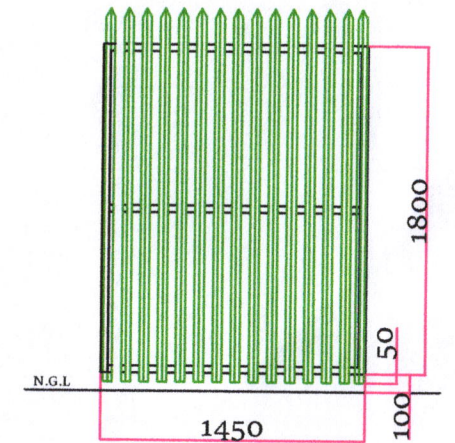
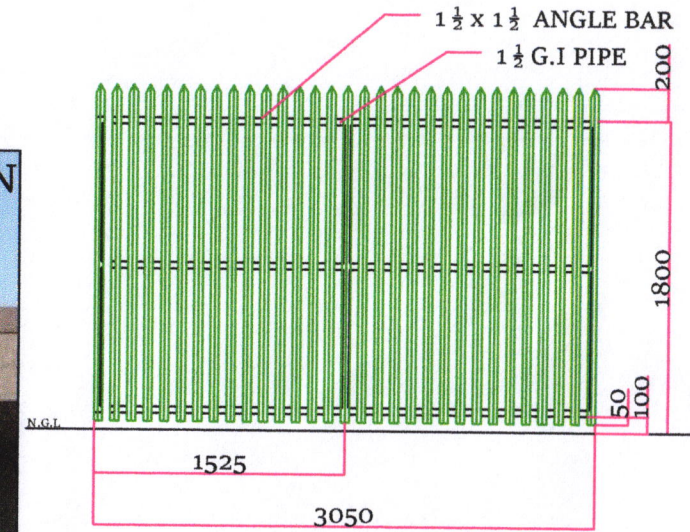
PROJECT TITLE:	DRAWN BY:	RECOMMENDED BY:	APPROVED BY:
CONSTRUCTION OF PERIMETER FENCE W/ GATE & COVERED WALK			
LOCATION: BRGY. SAN ISIDRO	CHARLENE B. RECASA	ROEL D. DOMER, CE	MA. ESTER E. HAMOR
WEST DIST., SORSOGON CITY	DRAFTING AIDE	CITY ENGINEER	CITY MAYOR

RARE ELEVATION



ISOMETRIC PERSPECTIVE

GATE DETAILS

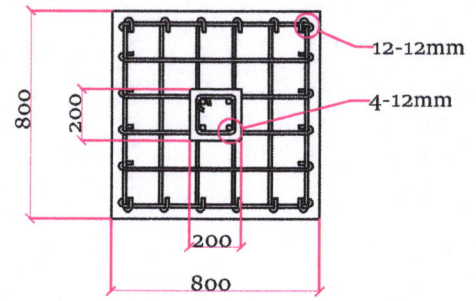
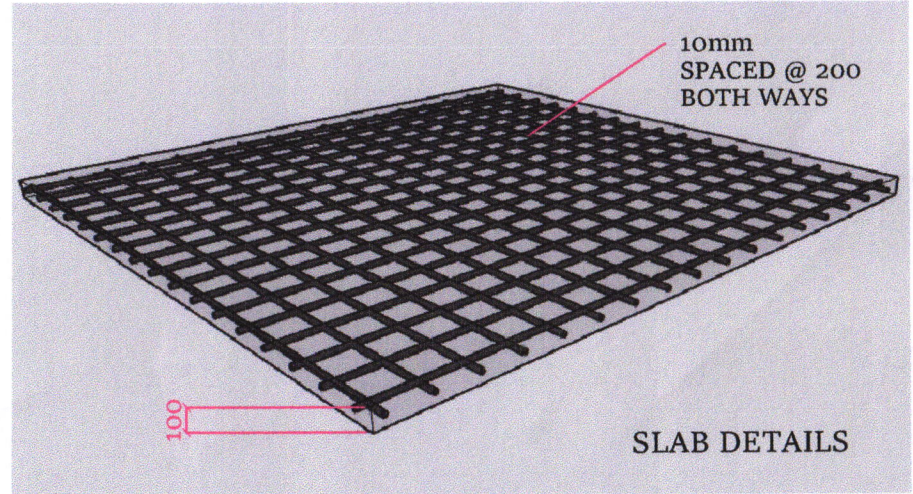
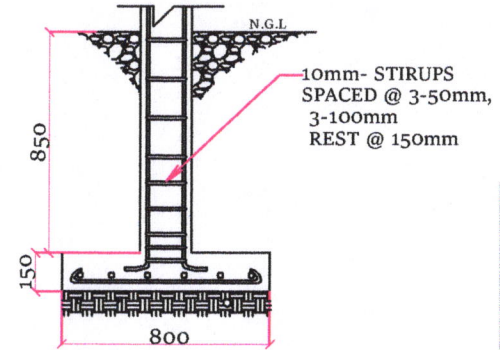
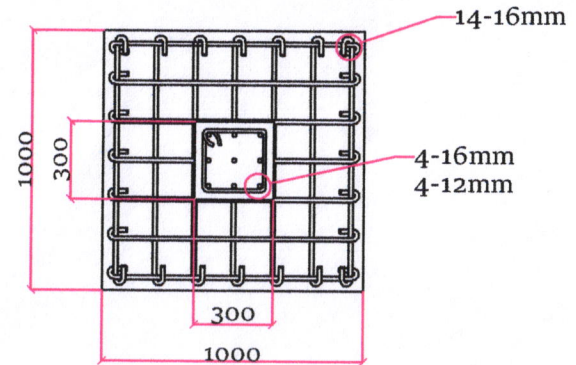
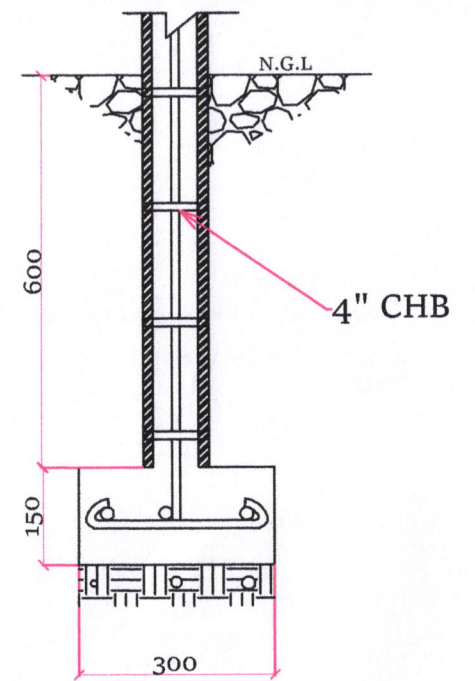
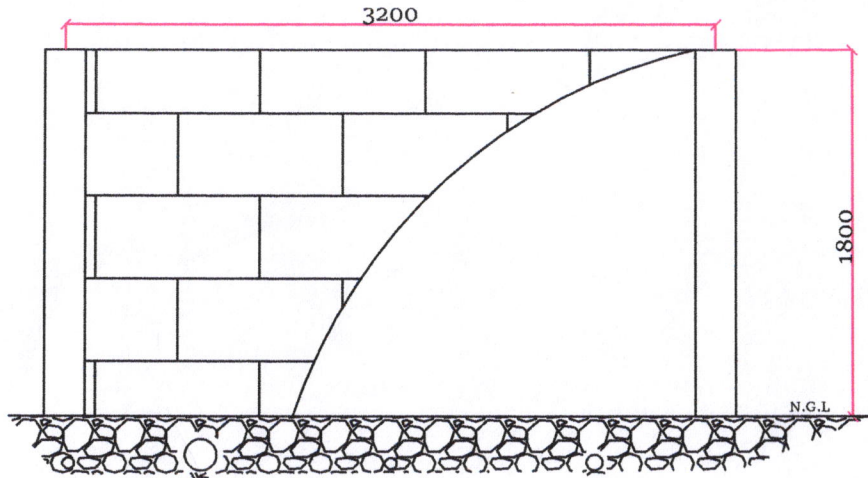
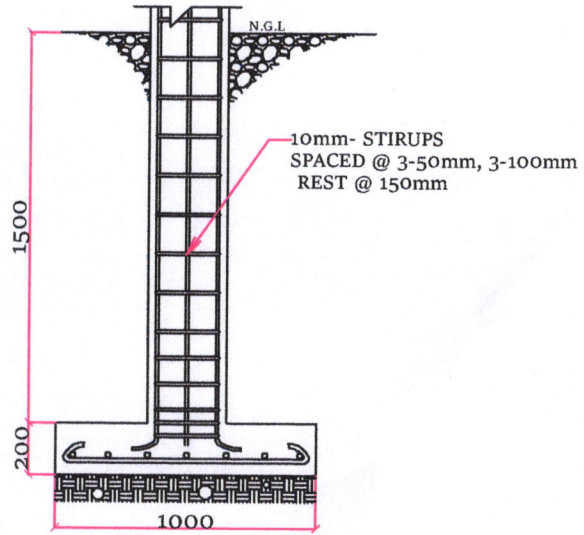


FRONT ELEVATION



SORSOGON CITY
CITY ENGINEER'S OFFICE

PROJECT TITLE:	DRAWN BY:	RECOMMENDED BY:	APPROVED BY:
CONSTRUCTION OF PERIMETER FENCE W/ GATE & COVERED WALK	<i>[Signature]</i>		<i>[Signature]</i>
LOCATION:	CHARLENE B. RECASA	ROEL D. DOMER, CE	MA. ESTER E. HAMOR
WEST DIST., SORSOGON CITY	DRAFTING AIDE	CITY ENGINEER	CITY MAYOR



W1F1

COLUMN & FOOTING DETAILS
SCALE N.T.S



PROJECT TITLE:	DRAWN BY:	RECOMMENDED BY:	APPROVED BY:
CONSTRUCTION OF PERIMETER FENCE W/ GATE & COVERED WALK	<i>[Signature]</i>	<i>[Signature]</i>	<i>[Signature]</i>
LOCATION: BRGY. SAN ISIDRO WEST DIST., SORSOGON CITY	CHARLENE B. RECASA DRAFTING AIDE	RODOLFO D. DOMER, CE CITY ENGINEER	MA. ESTER E. HAMOR CITY MAYOR