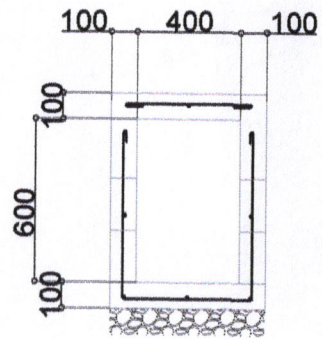
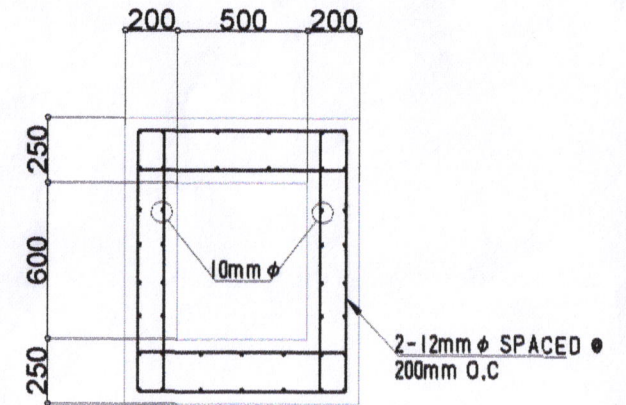


### LINE CANAL

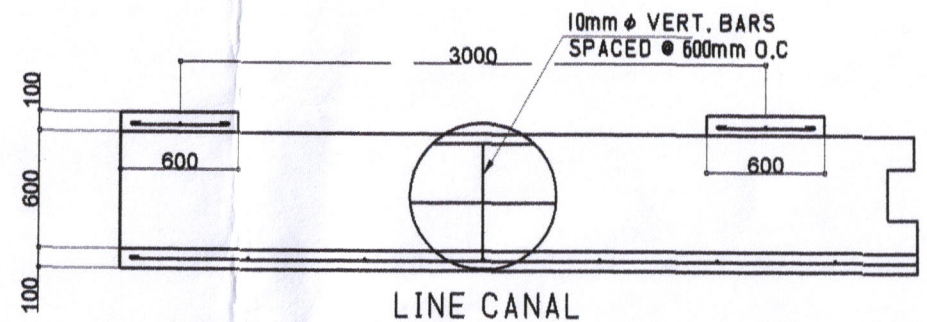



SECTIONAL DET.

### CROSS DRAINS



SECTIONAL DET.



 <p>SORSOGON CITY <b>CITY ENGINEER OFFICE</b></p>	PROJECT TITLE:	DRAWN BY:	RECOMMENDED BY:	APPROVED BY:
	<b>CONSTRUCTION/ EXTENSION OF DRAINAGE CANAL</b>			
	LOCATION: SITIO BANCAL, BRGY. SAN ROQUE BACON DIST., SORSOGON CITY	MaPamela Legaspi DRAFTING AIDE	ROEL D. DOMER, CE CITY ENGINEER	MA. ESTER E. HAMOR CITY MAYOR