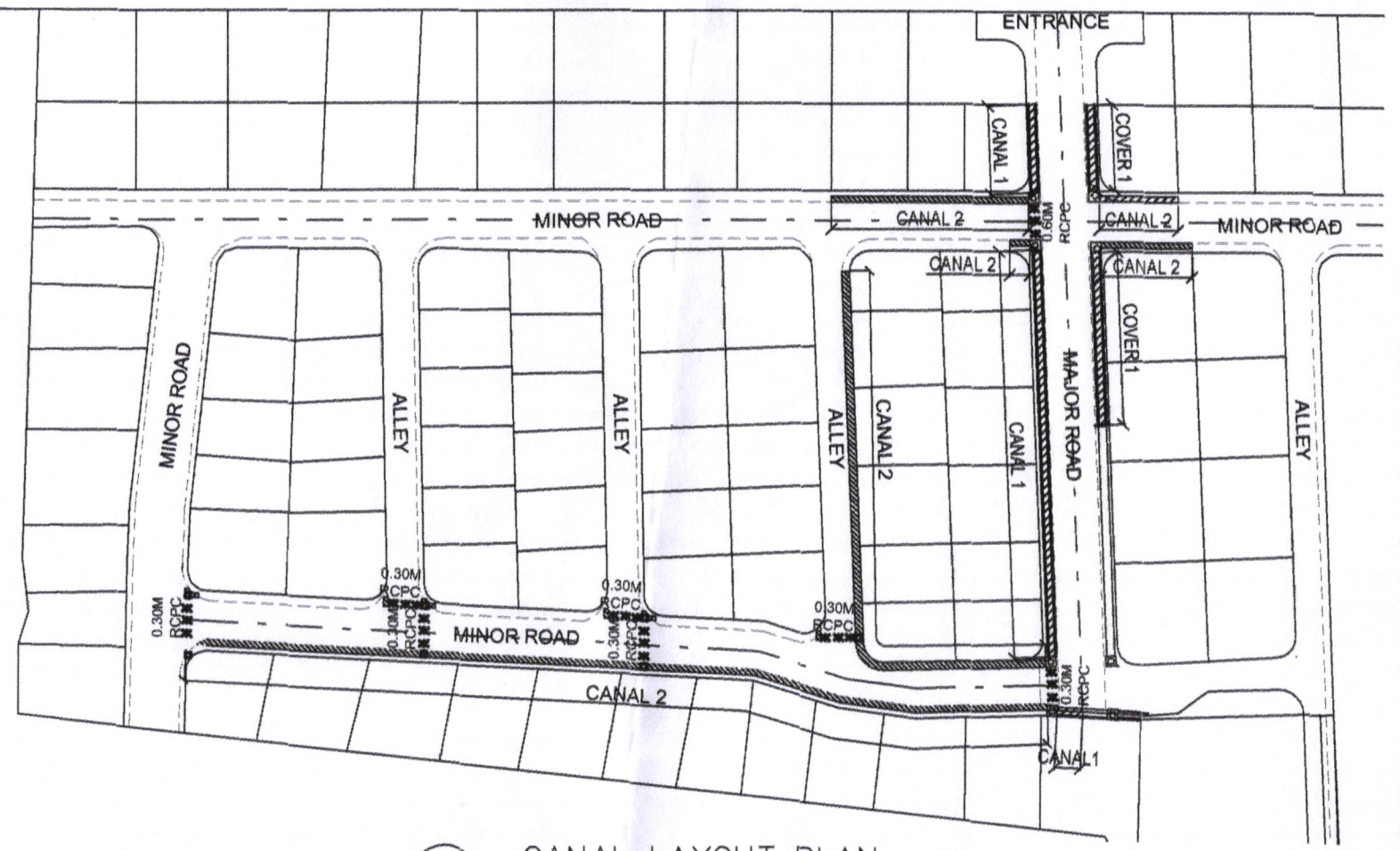


PROJECT TITLE:	DRAWN BY:	RECOMMENDING APPROVAL:	APPROVED BY:
CONSTRUCTION OF OPEN CANAL			
LOCATION: SITIO CENTRO, IRAYA & BLISS, BRGY. MACABOG WEST DISTRICT, SORSOGON CITY	ROY M. HUBILLA ENGINEERING AIDE	ROEL D. DOMER, CE CITY ENGINEER	HON. MA. ESTER E. HAMOR CITY MAYOR




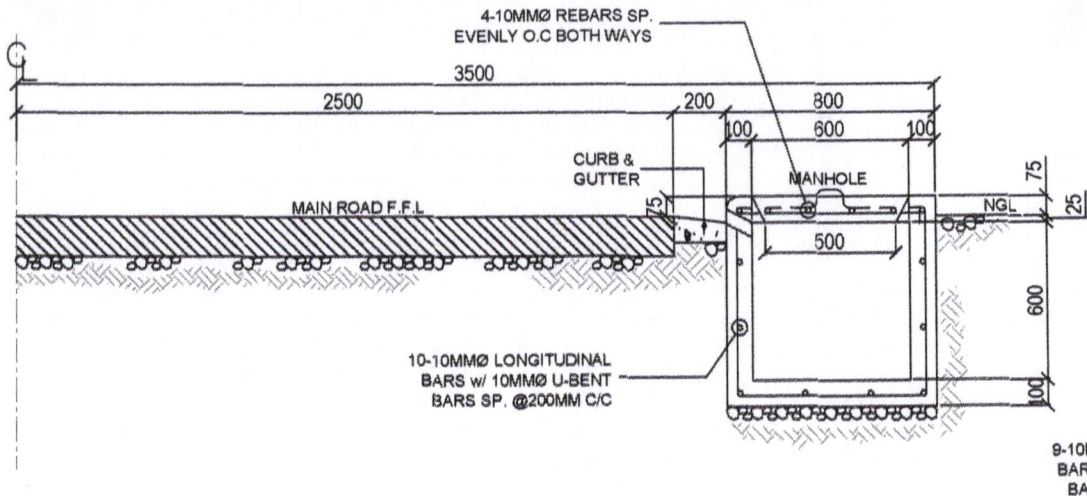
LOCATION MAP
 @SITIO CENTRO

TO BRGY. PANGPANG DIVERSION ROAD TO BRGY. SAN JUAN (RORO)

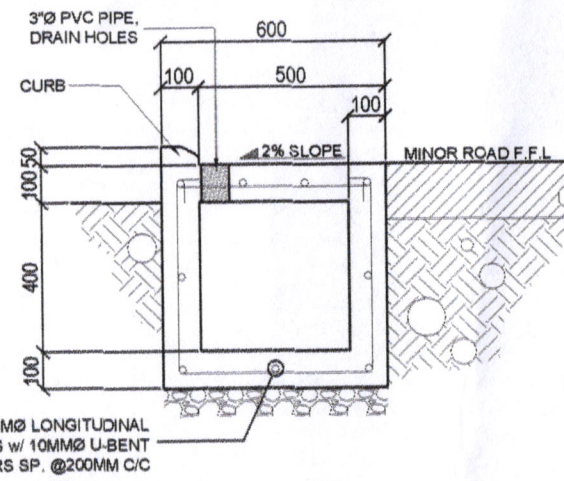


CANAL LAYOUT PLAN
 @SITIO CENTRO

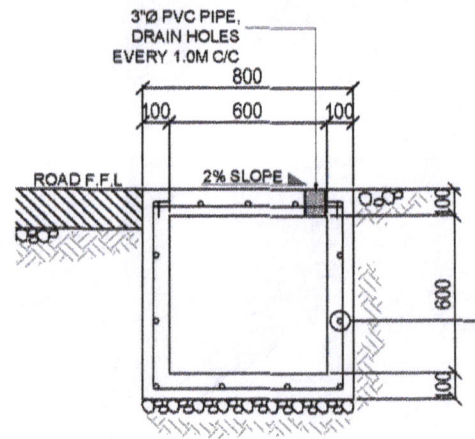
SORSOGON CITY  CITY ENGINEERING OFFICE	PROJECT TITLE:	DRAWN BY:	RECOMMENDING APPROVAL:	APPROVED BY:
	CONSTRUCTION OF OPEN CANAL			
	LOCATION: SITIO CENTRO, IRAYA & BLISS, BRGY. MACABOG WEST DISTRICT, SORSOGON CITY	ROY M. HUBILLA ENGINEERING AIDE	ROEL D. DOMER, CE CITY ENGINEER	HON. MA. ESTER E. HAMOR CITY MAYOR



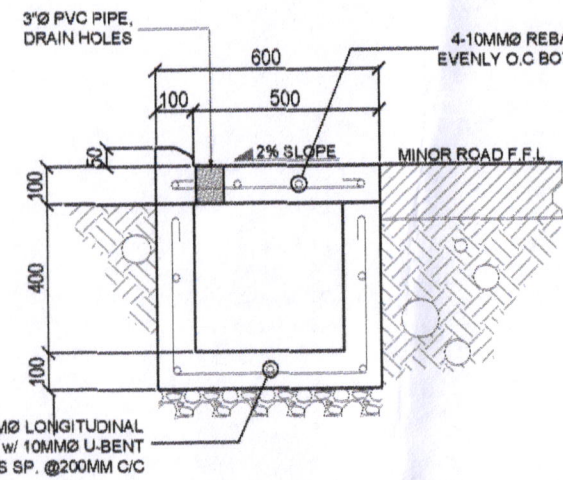
CANAL 1 SEC. W/ MANHOLE & ROAD DRAIN
 PLACED @ EVERY 5.0M C/C



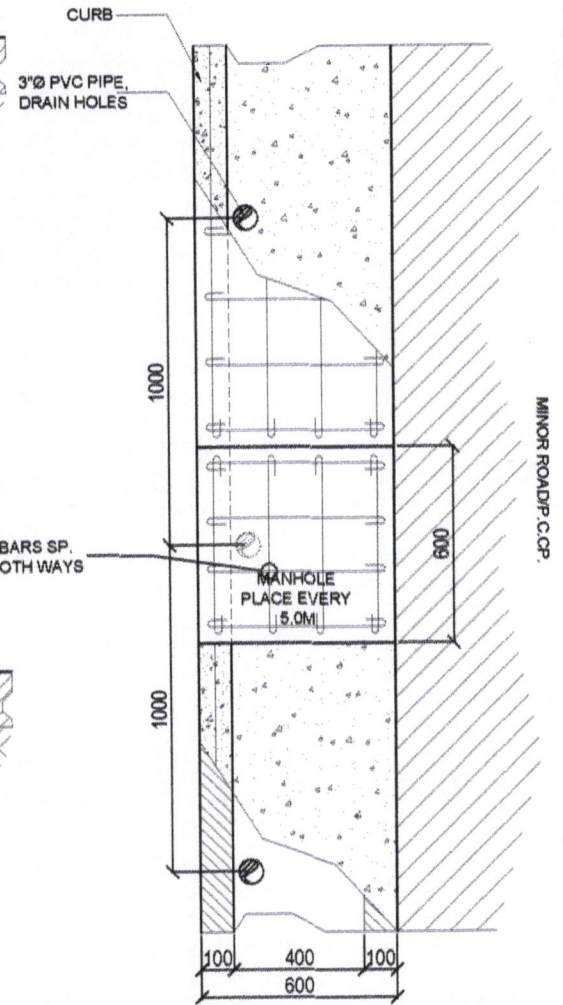
TYPICAL CANAL 2
 TOTAL LENGTH = 193.50 M



TYPICAL CANAL 1 SEC.
 TOTAL LENGTH = 57.0 M (CENTRO)
 TOTAL LENGTH = 131.0 M (IRAYA & BLISS)



CANAL 2 W/ COVER
 PLACED @ EVERY 5.0M C/C & CORNERS



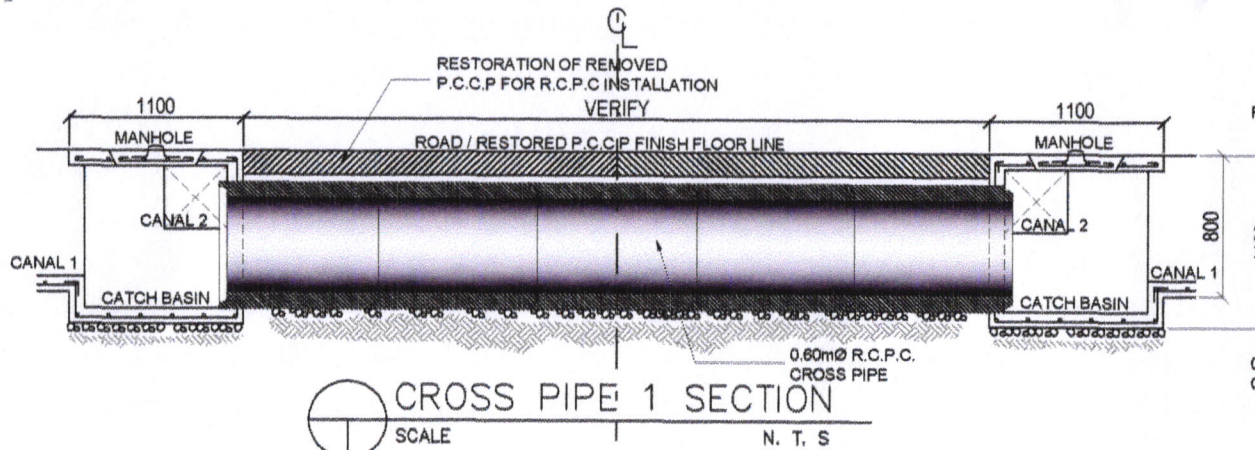
CANAL 2 PLAN
 SCALE: N.T.S.

SORSOGON CITY

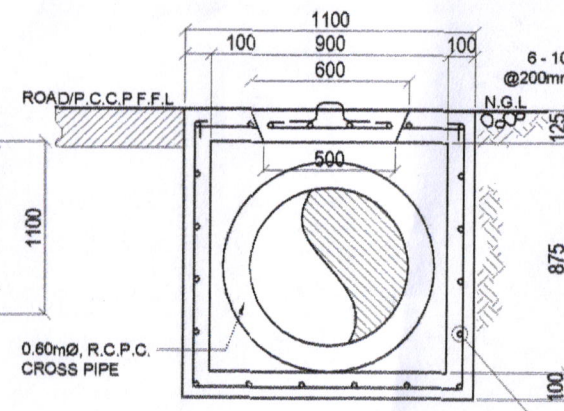


CITY ENGINEERING OFFICE

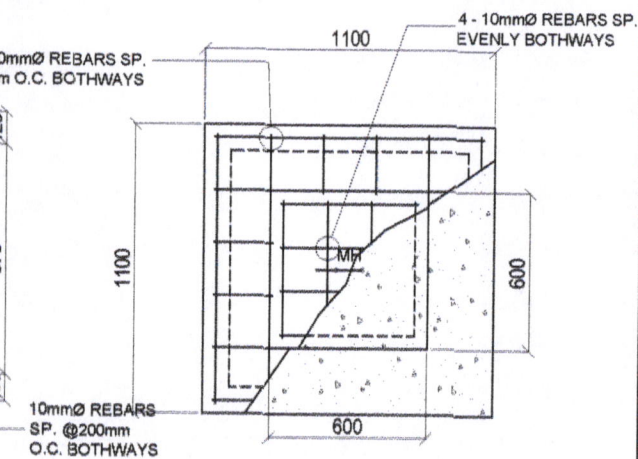
PROJECT TITLE:	DRAWN BY:	RECOMMENDING APPROVAL:	APPROVED BY:
CONSTRUCTION OF OPEN CANAL	ROY M. HUBILLA	ROEL D. DOMER, CE	HON. MA. ESTER E. HAMOR
LOCATION: SITIO CENTRO, IRAYA & BLISS, BRGY. MACABOG	ENGINEERING AIDE	CITY ENGINEER	CITY MAYOR
WEST DISTRICT, SORSOGON CITY			



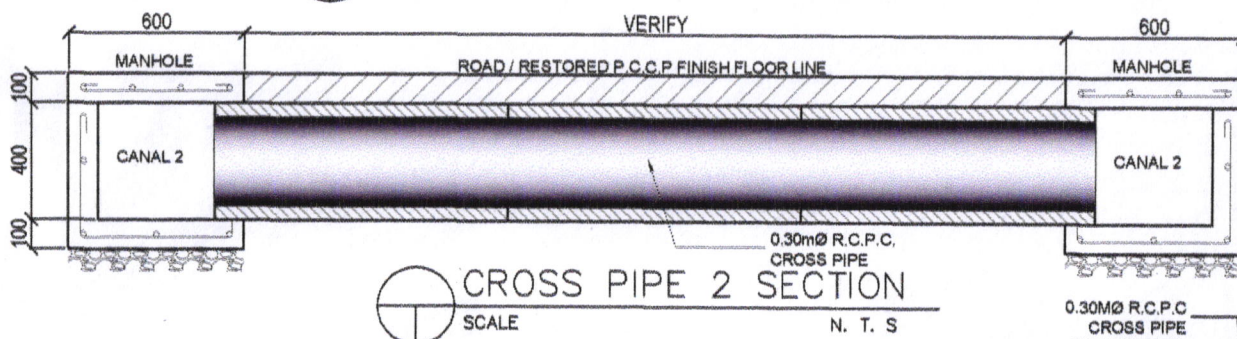
CROSS PIPE 1 SECTION
SCALE N. T. S



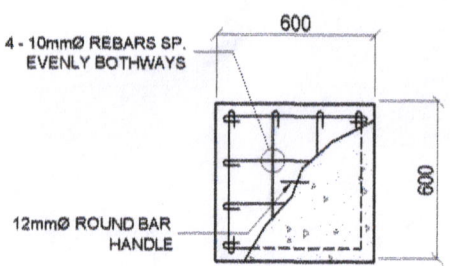
CATCH BASIN SEC.
QTY. = 7 UNITS
4 UNITS (CENTRO)
3 UNITS (IRAYA & BLISS)



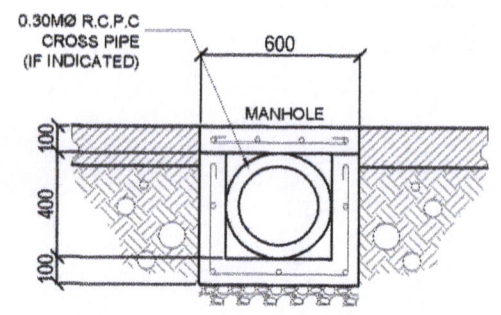
CATCH BASIN COVER
SCALE N. T. S



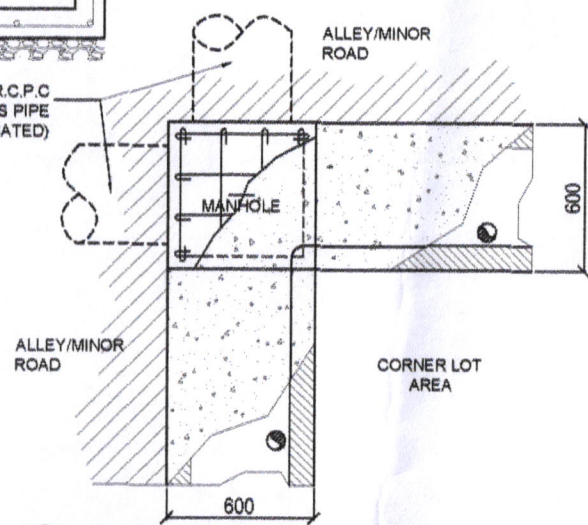
CROSS PIPE 2 SECTION
SCALE N. T. S



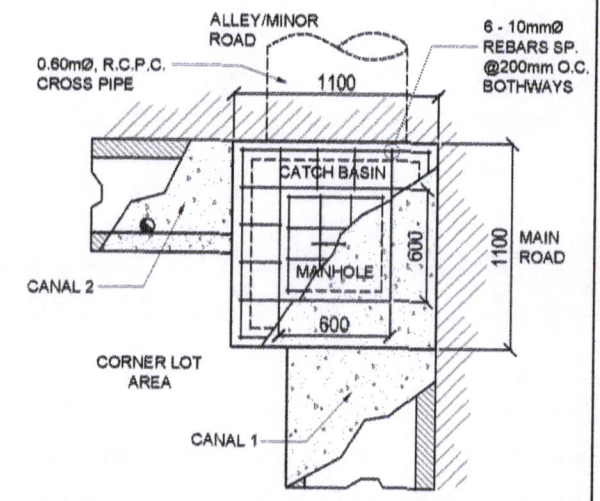
TYP. MANHOLE COVER
SCALE N. T. S




CANAL 2 & R.C.P.C SECTION DETAIL
SCALE N. T. S



CANAL 2 @CORNER LOT
SCALE N. T. S



CATCH BASIN PLAN
SCALE N. T. S

<p>SORSOGON CITY</p>  <p>CITY ENGINEERING OFFICE</p>	PROJECT TITLE:	DRAWN BY:	RECOMMENDING APPROVAL:	APPROVED BY:
	CONSTRUCTION OF OPEN CANAL			
	LOCATION: SITIO CENTRO, IRAYA & BLISS, BRGY. MACABOG WEST DISTRICT, SORSOGON CITY	ROY M. HUBILLA ENGINEERING AIDE	ROEL D. DOMER, CE CITY ENGINEER	HON. MA. ESTER E. HAMOR CITY MAYOR