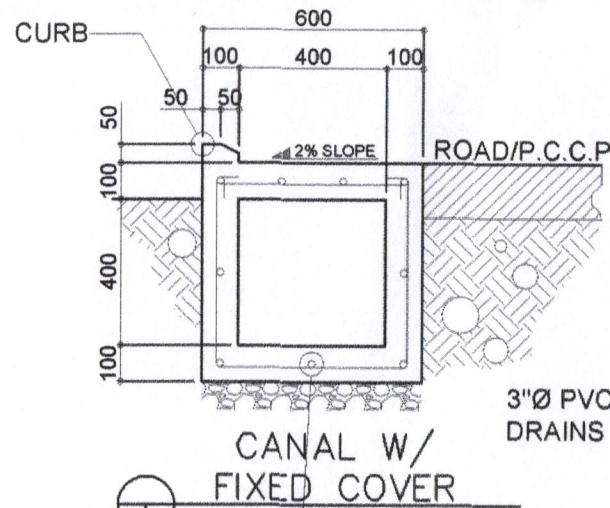




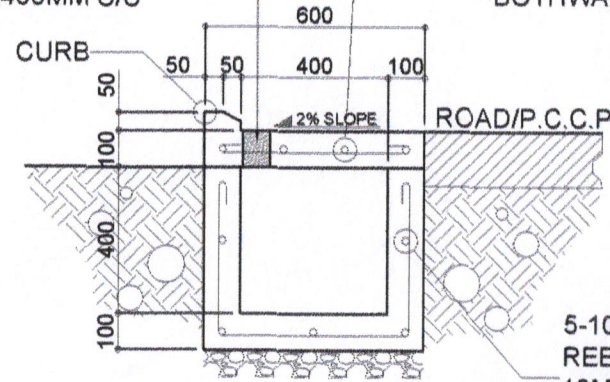
PROPOSED
LINE CANAL
W/ COVER

VICINITY MAP
SCALE: N.T.S.

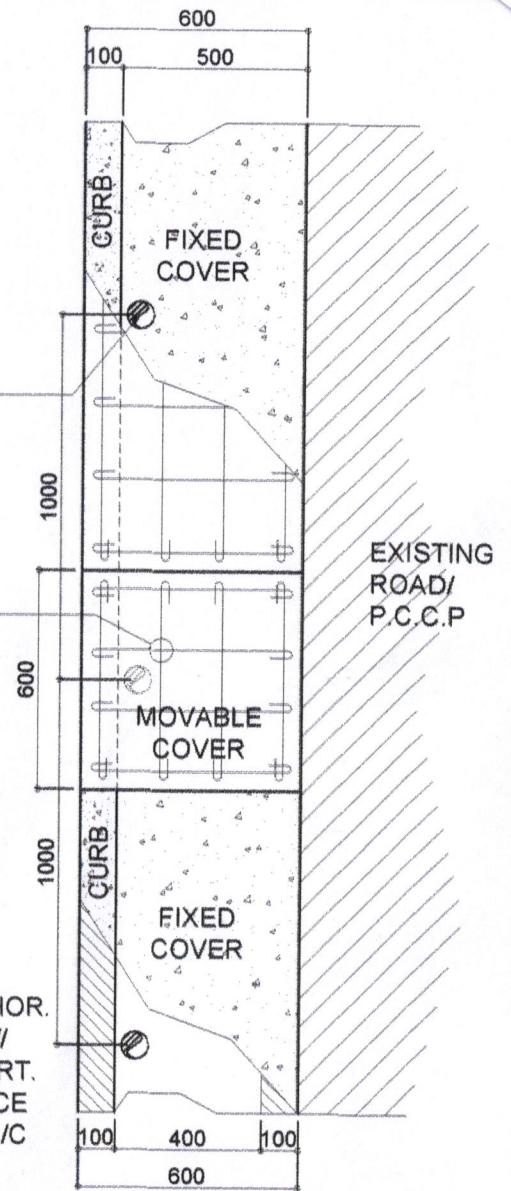


9-10MMØ HOR.
REBARS W/
10MMØ VERT.
BARS SPACE
@400MM C/C

SCALE: N.T.S.



SCALE: N.T.S.

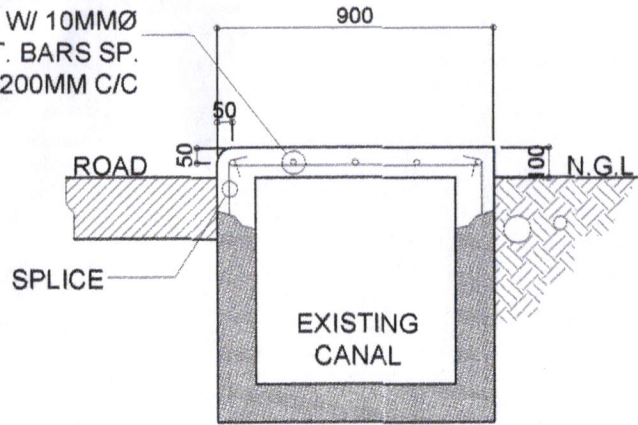


CANAL PLAN
TOTAL LENGTH = 413.0 M



PROJECT TITLE:	DRAWN BY:	RECOMMENDING APPROVAL:	APPROVED BY:
CONSTRUCTION OF LINE CANAL (PHASE II)	ROY M. HUBILLA	ROEL D. DOMER, CE/RMP	HON. MA. ESTER E. HAMOR
LOCATION: CITY VILLAGE & URBAN POOR SUBD., BRGY. CABID-AN, EAST DISTRICT, SORSOGON CITY	ENGINEERING AIDE	CITY ENGINEER	CITY MAYOR

5-10MMØ LONG.
BARS W/ 10MMØ
LAT. BARS SP.
@200MM C/C

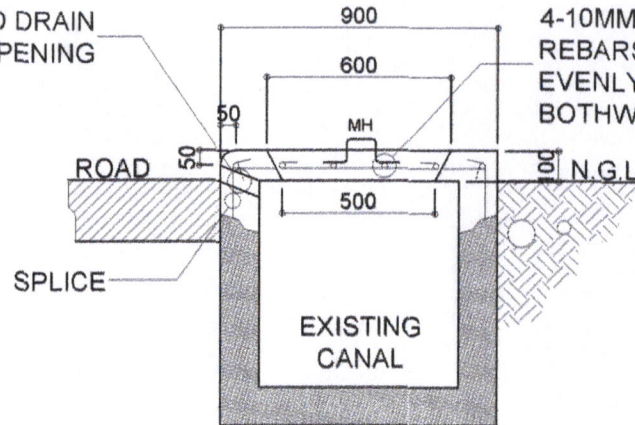


ELEVATED
CANAL COVER

SCALE: N.T.S.

ROAD DRAIN
OPENING

4-10MMØ
REBARS SPACE
EVENLY O.C
BOTHWAYS

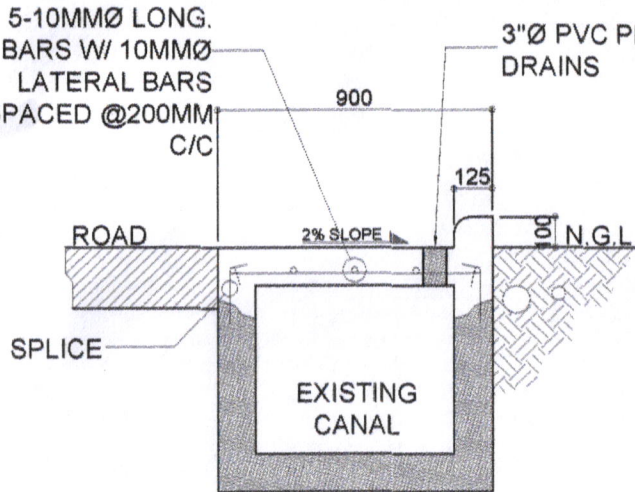


CANAL COVER W/
MANHOLE COVER

SCALE: N.T.S.

5-10MMØ LONG.
BARS W/ 10MMØ
LATERAL BARS
SPACED @200MM
C/C

3"Ø PVC PIPE
DRAINS

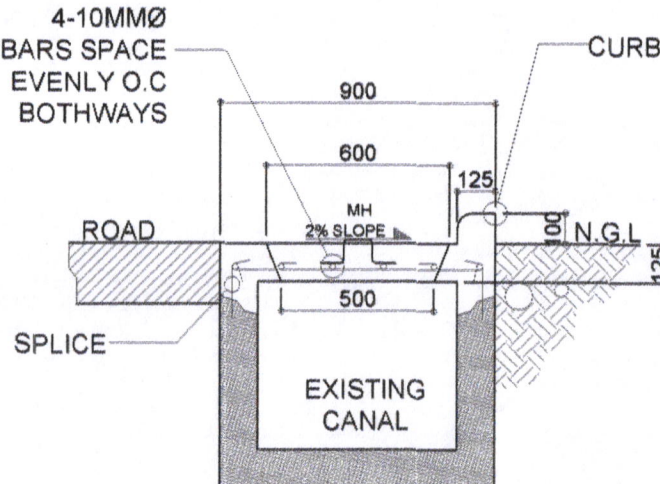


FLUSHED
CANAL COVER

SCALE: N.T.S.

4-10MMØ
REBARS SPACE
EVENLY O.C
BOTHWAYS

CURB



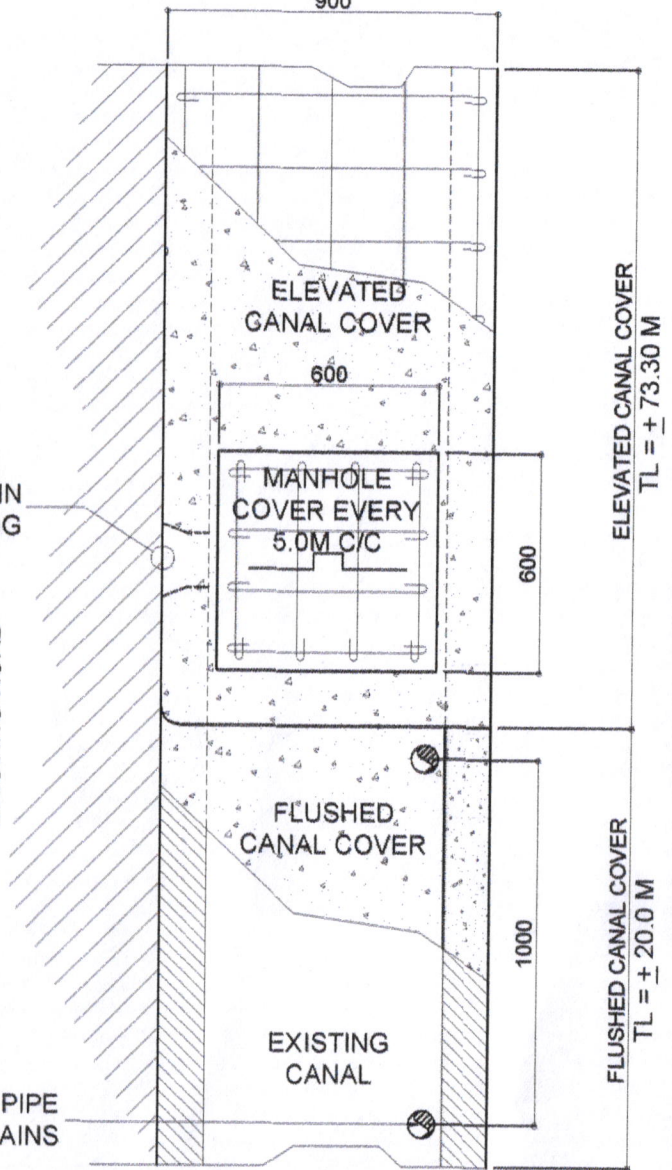
CANAL COVER W/
MANHOLE COVER

SCALE: N.T.S.

ROAD DRAIN
OPENING

EXISTING ROAD

3"Ø PVC PIPE
DRAINS



CANAL COVER PLAN

TOTAL LENGTH = 93.30 M

SORSOGON CITY



CITY ENGINEER'S
OFFICE

PROJECT TITLE:

CONSTRUCTION OF LINE CANAL
(PHASE II)

LOCATION: CITY VILLAGE & URBAN POOR SUBD.,
BRGY. CABID-AN, EAST DISTRICT, SORSOGON CITY

DRAWN BY:

ROY M. HUBILLA
ENGINEERING AIDE

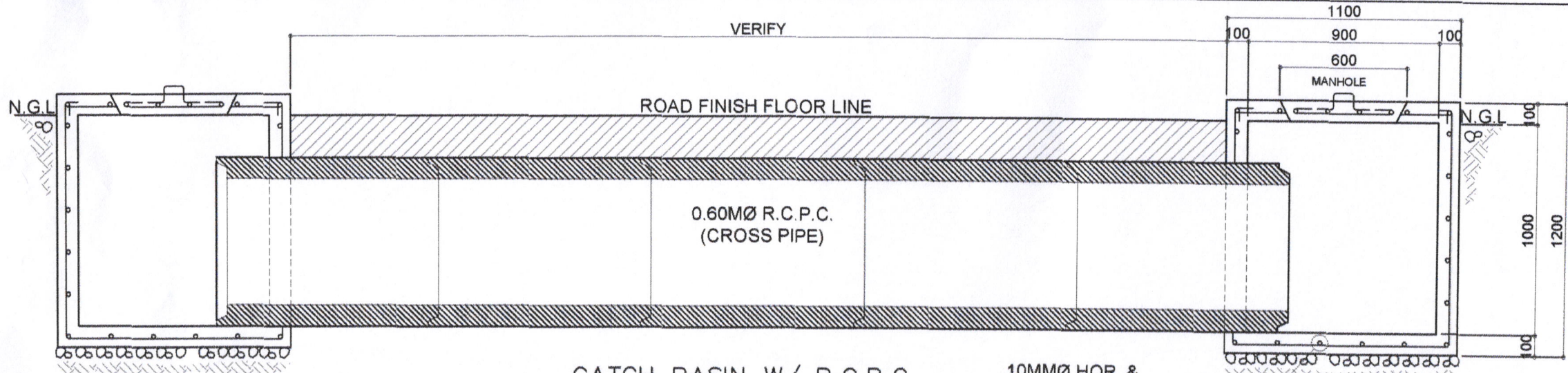
RECOMMENDING APPROVAL:

ROEL D. DOMER, CE/RMP
CITY ENGINEER

APPROVED BY:

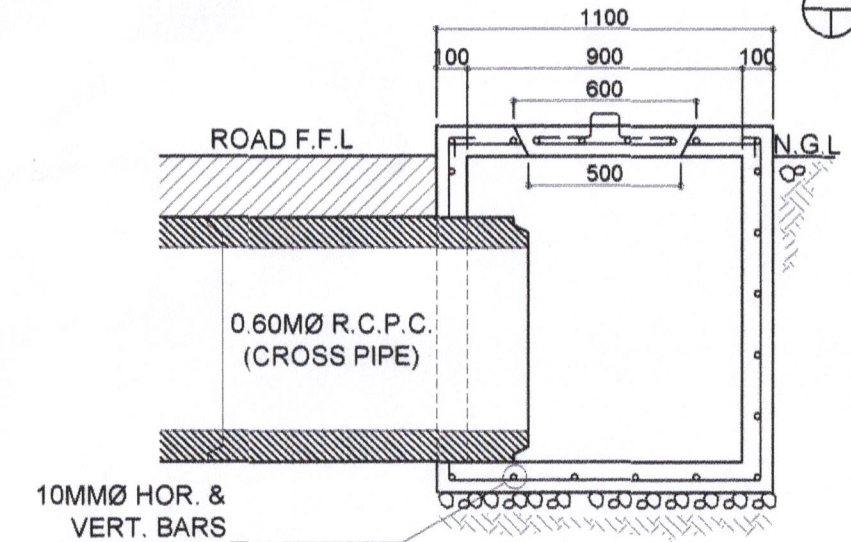
HON. MA. ESTER E. HAMOR
CITY MAYOR

SIGN HI



CATCH BASIN W/ R.C.P.C. SECTION ELEVATION

10MMØ HOR. & VERT. BARS SPACE @200MM C/C



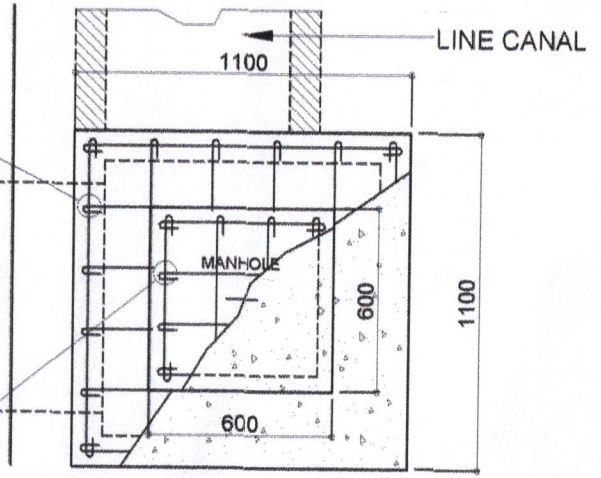
CATCH BASIN W/ R.C.P.C. SECTION ELEVATION

10MMØ HOR. & VERT. BARS SPACE @200MM C/C

10MMØ REBARS SPACED @200MM O.C BOTH WAYS

0.60MØ R.C.P.C. (CROSS PIPE)


4-10MMØ REBARS SPACED EVENLY O.C BOTHWAYS



TYPICAL CATCH BASIN PLAN W/ R.C.P.C.



SCALE: N.T.S.

<p>SORSOGON CITY</p>  <p>CITY ENGINEER'S OFFICE</p>	PROJECT TITLE:	DRAWN BY:	RECOMMENDING APPROVAL:	APPROVED BY:
	CONSTRUCTION OF LINE CANAL (PHASE II)			
	LOCATION: CITY VILLAGE & URBAN POOR SUBD., BRGY. CABID-AN, EAST DISTRICT, SORSOGON CITY	ROY M. HUBILLA ENGINEERING AIDE	ROEL D. DOMER, CE/RMP CITY ENGINEER	HON. MA. ESTER E. HAMOR CITY MAYOR

SIGN HERE