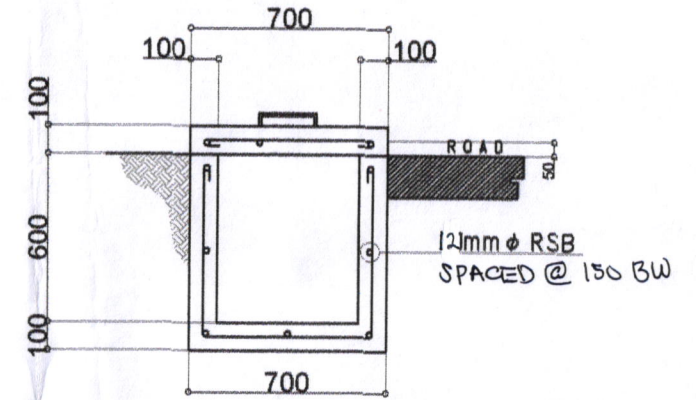
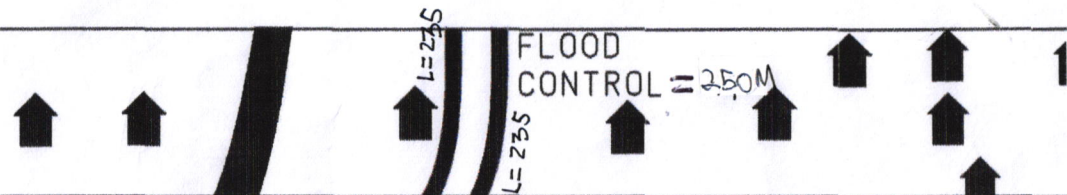

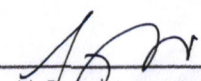

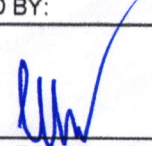


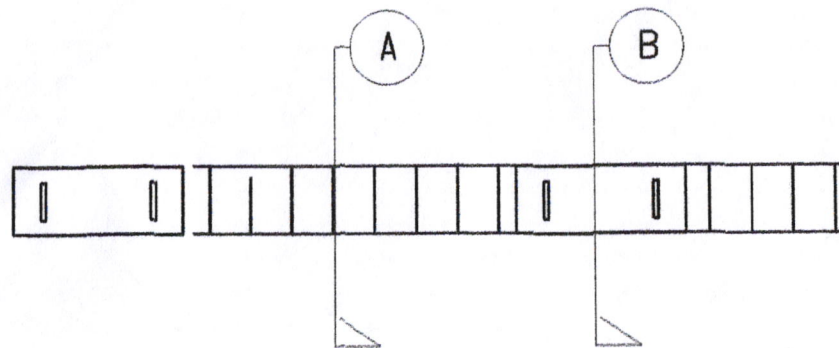
A SECTIONAL DET.
SCALE: 1:25MTS



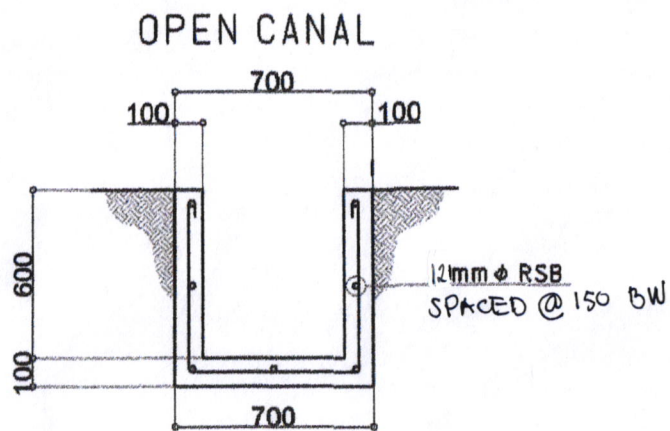
B SECTIONAL DET.
SCALE: 1:25MTS



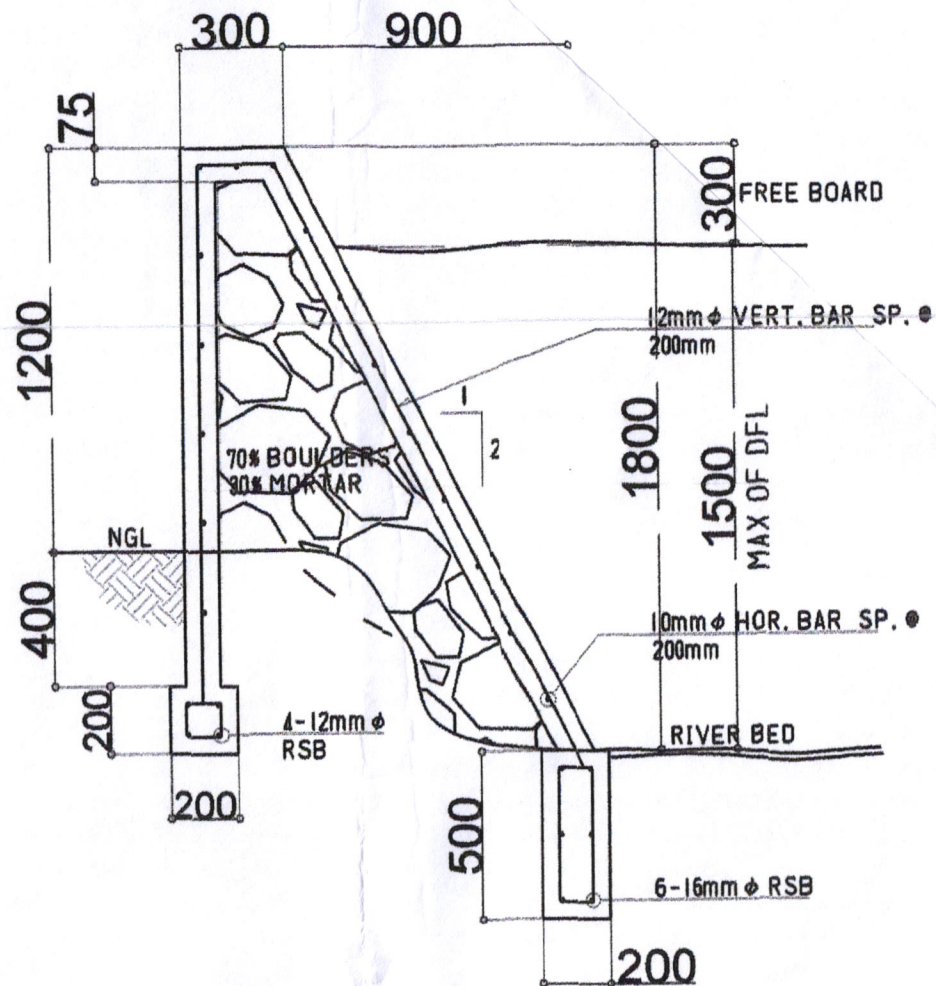
 <p>SORSOGON CITY CITY ENGINEER OFFICE</p>	PROJECT TITLE:	DRAWN BY:	RECOMMENDED BY:	APPROVED BY:
	<p>CONST. OF FLOOD CONTROL PROJECT</p>	 Ma Pamela Legaspi DRAFTING AIDE	 ROEL O. DOMER, CE CITY ENGINEER	 MA. ESTER HAMOR CITY MAYOR
	LOCATION: BRGY. BATO BACON DIST., SORSOGON CITY			



PLAN
COVERED CANAL



SECTIONAL DET.
SCALE: 1:25MTS



SECTIONAL DET.
SCALE: 1:25MTS



SORSOGON CITY
CITY ENGINEER OFFICE

PROJECT TITLE:
CONST. OF FLOOD CONTROL PROJECT

LOCATION: BRGY. BATO
BACON DIST., SORSOGON CITY

DRAWN BY:
Ma Pamela Gaspi
Ma Pamela Gaspi
DRAFTING AIDE

RECOMMENDED BY:
Roel D. Domer
ROEL D. DOMER, CE
CITY ENGINEER

APPROVED BY:
Ma. Ester Hamor
MA. ESTER HAMOR
CITY MAYOR